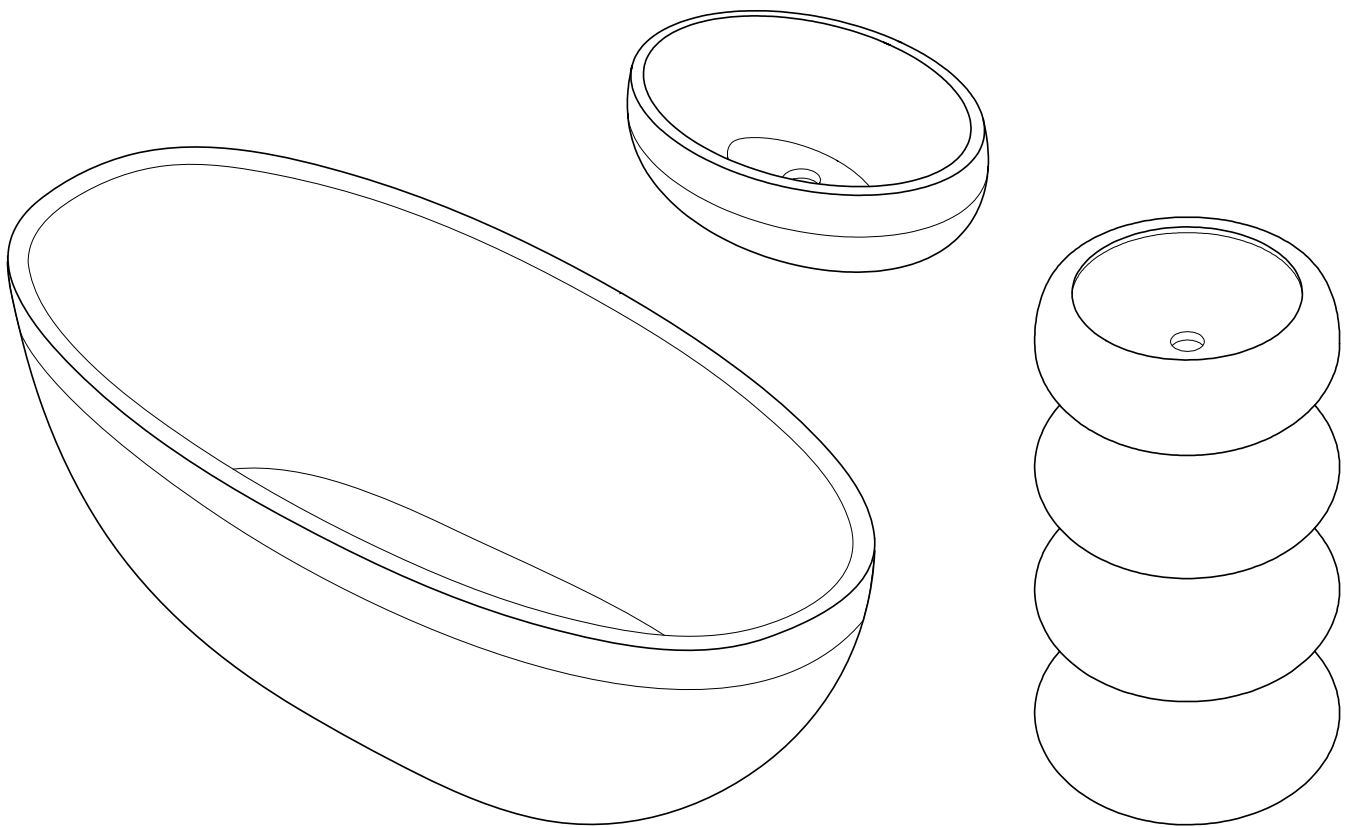


# Fitting Instructions

This guide will take you through the steps of installing your clay bathtub and basin.



# LOHO

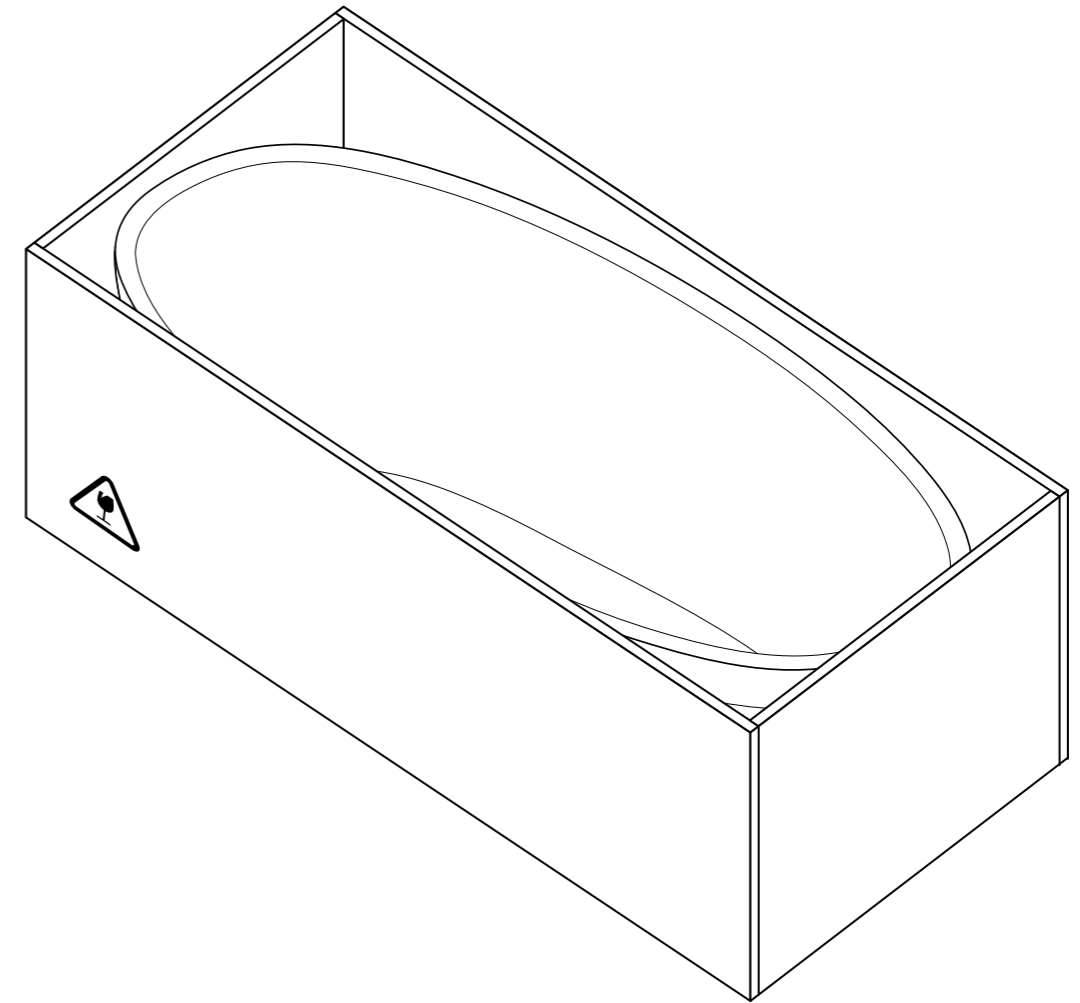
# Bathtubs

## 1. Unpack | Uitpakken | Déballer

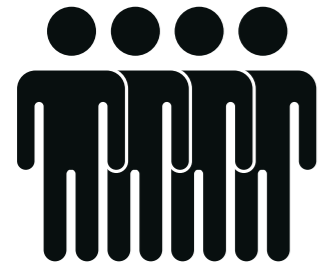
EN | It is strongly recommended not to unpack the bathtub until on-site for installation.

NL | Het wordt sterk aangeraden het bad pas op de plaats van installatie uit de verpakking te halen.

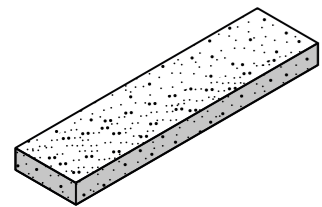
FR | Il est recommandé de ne pas débiller la baignoire avant d'arriver au site d'installation.



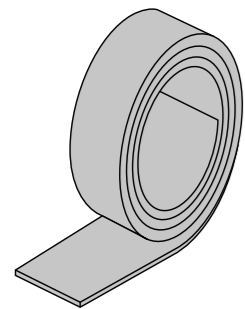
## 2. Placement | Plaatsing



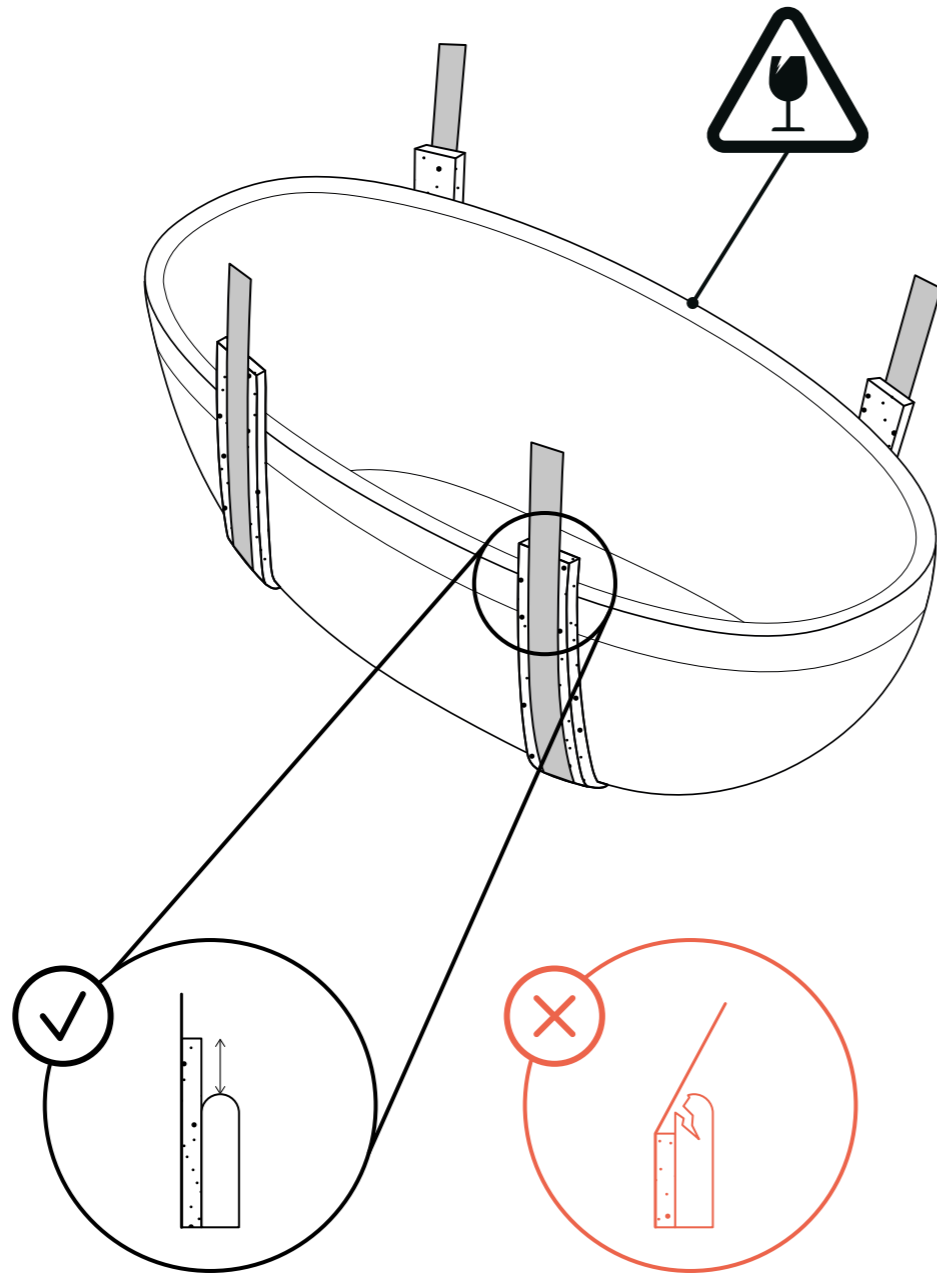
4x



2x

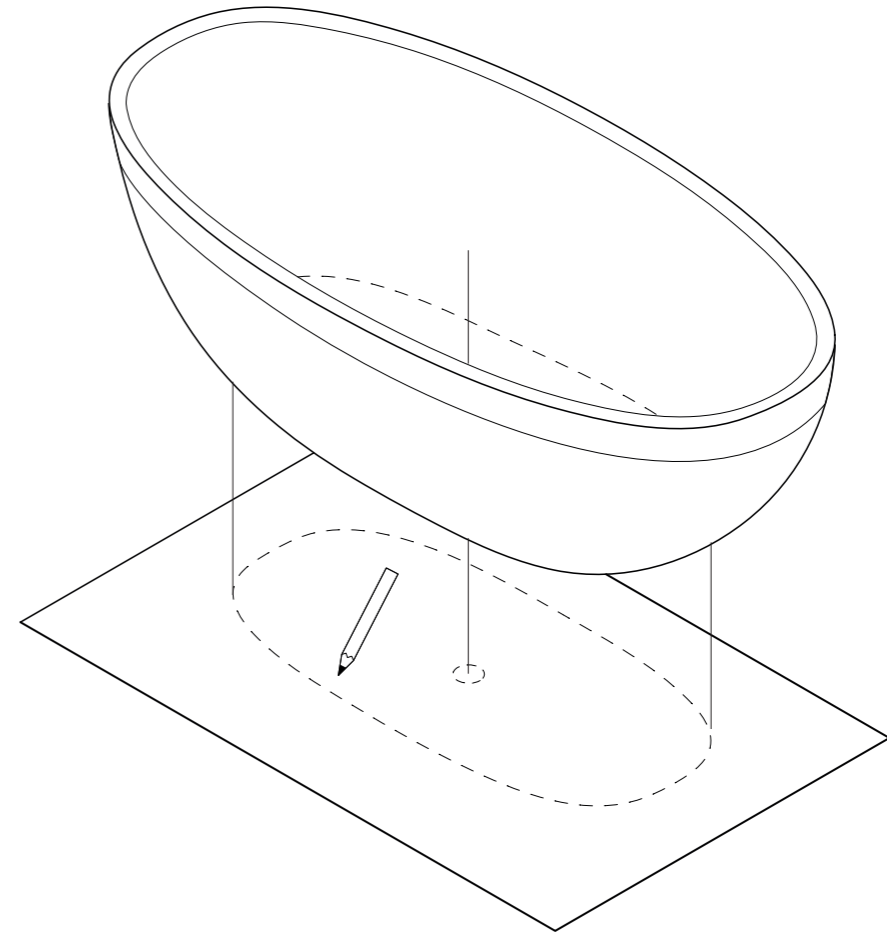


2x

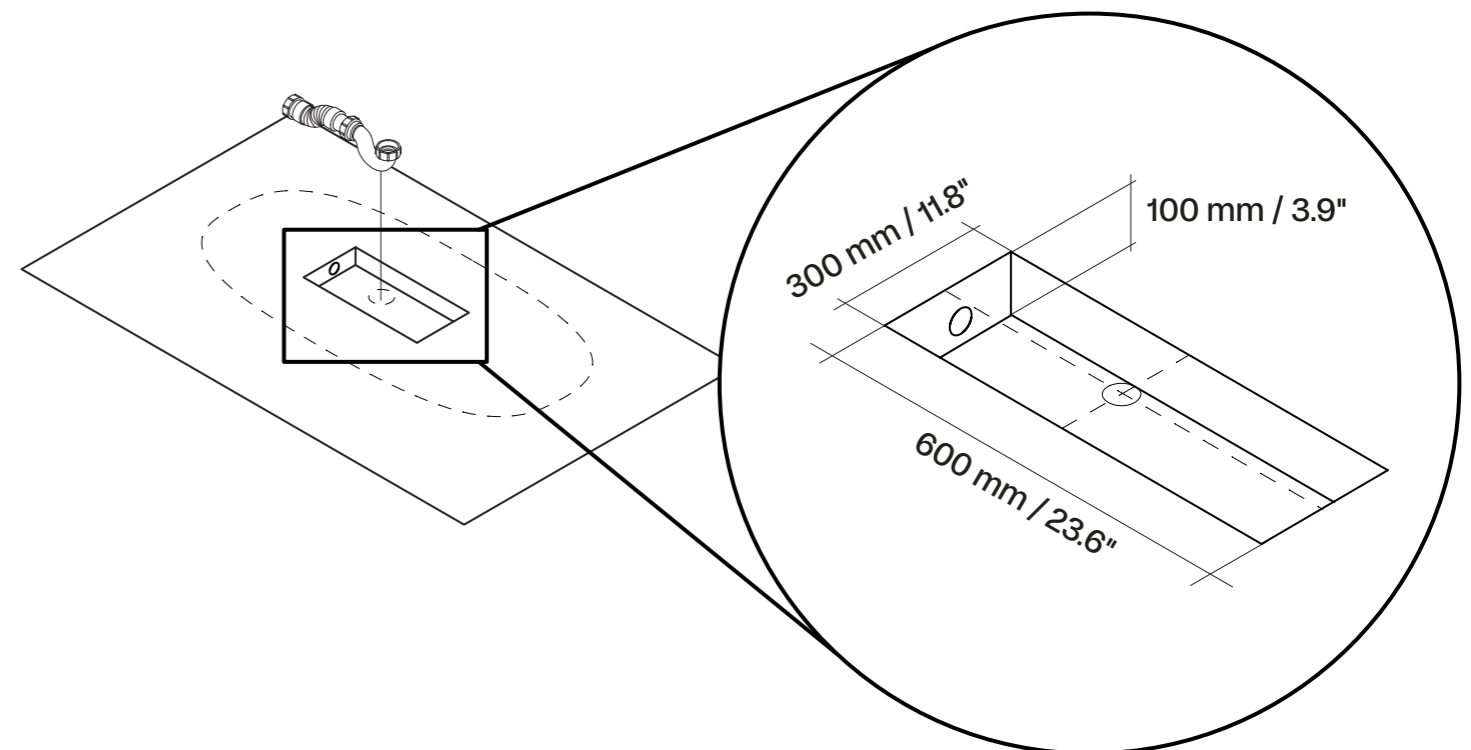


## 3. Installation | Installatie

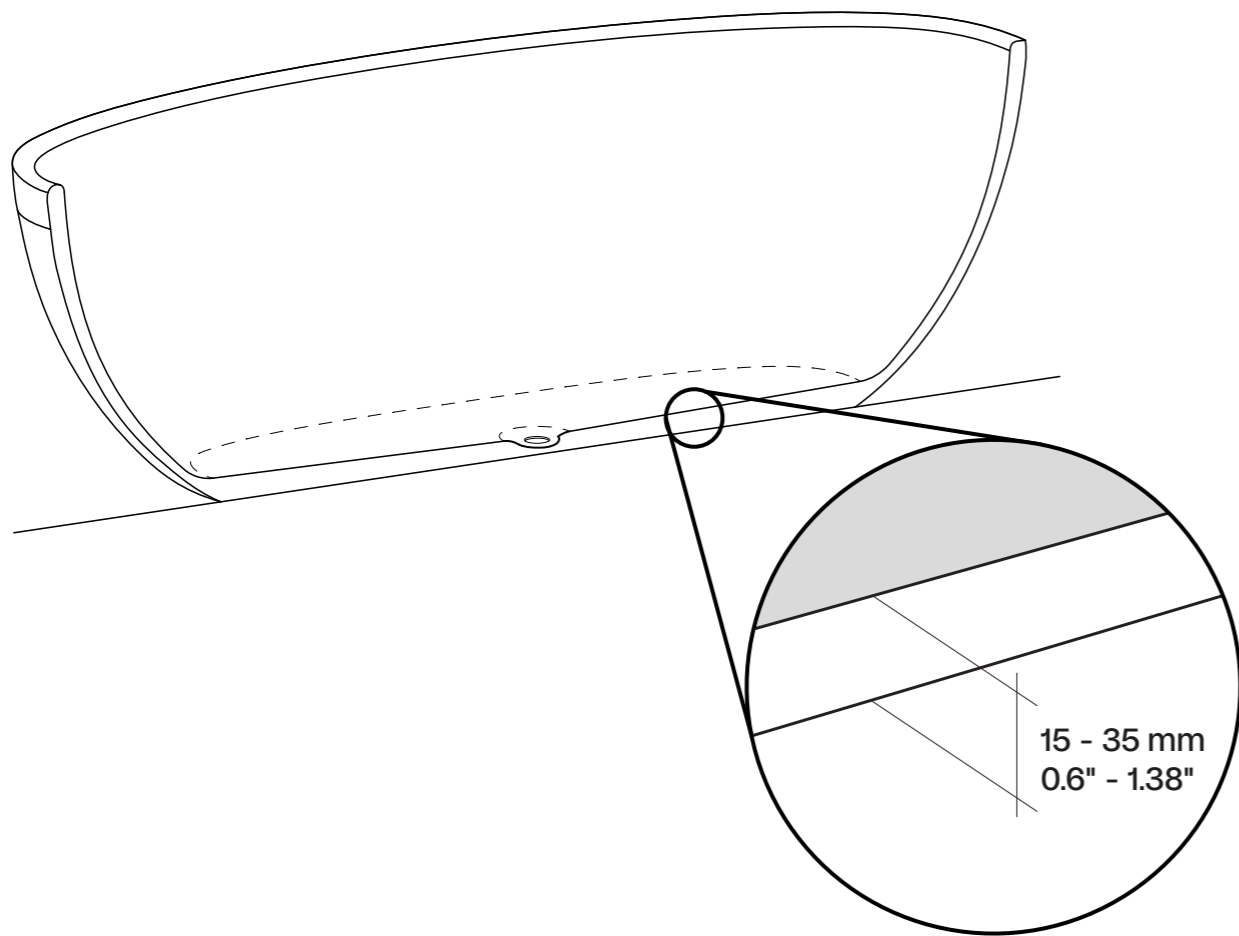
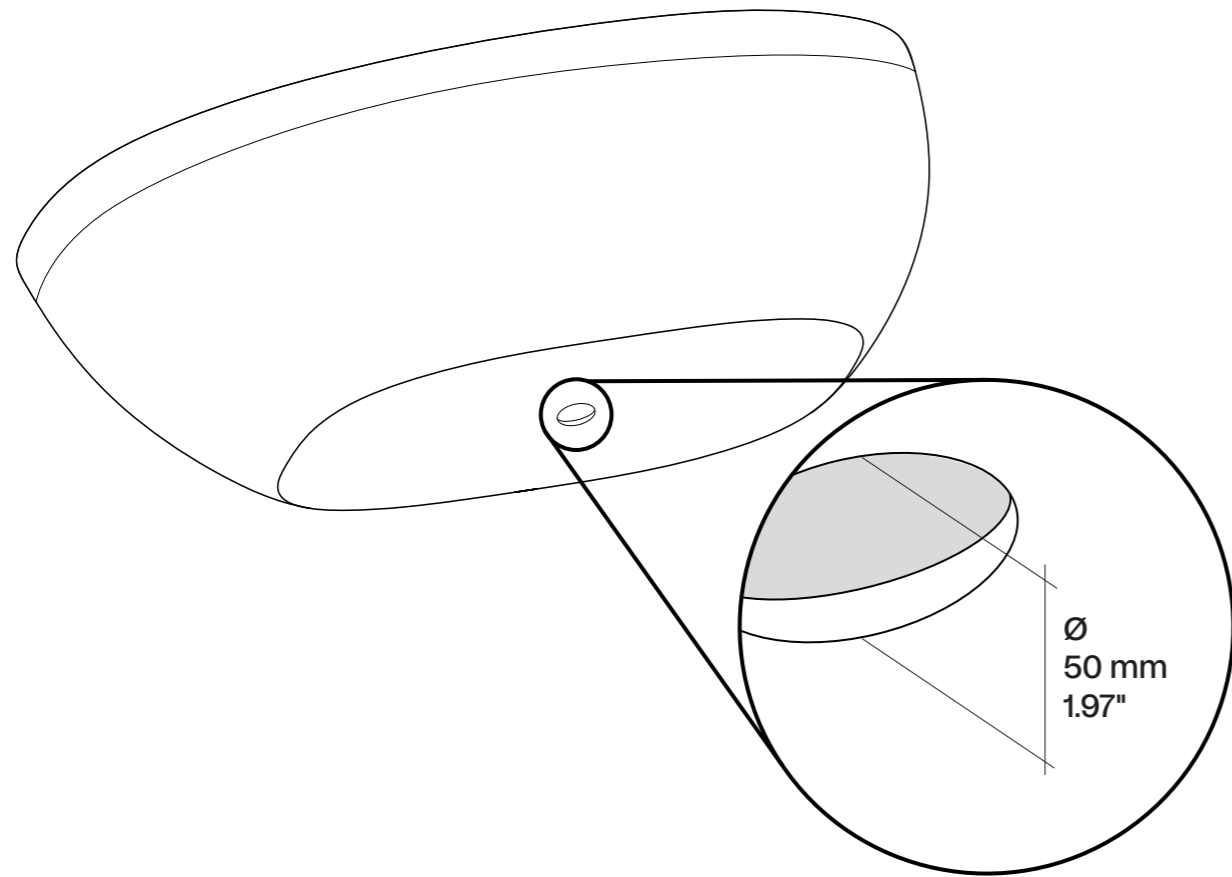
1



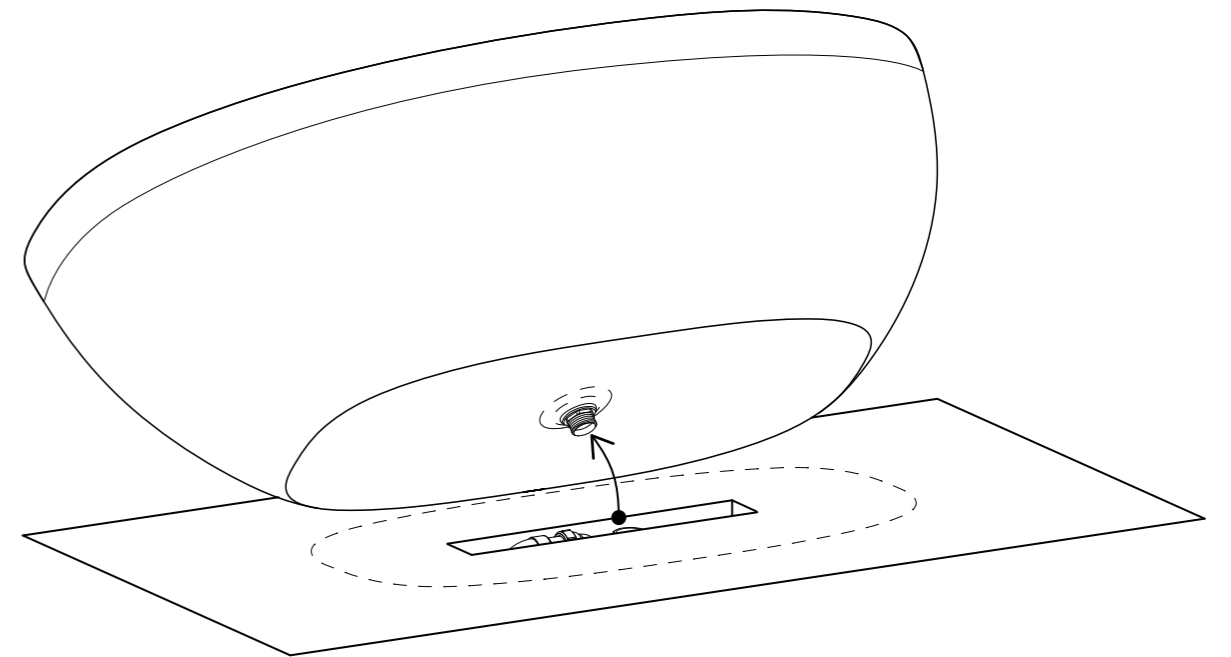
2



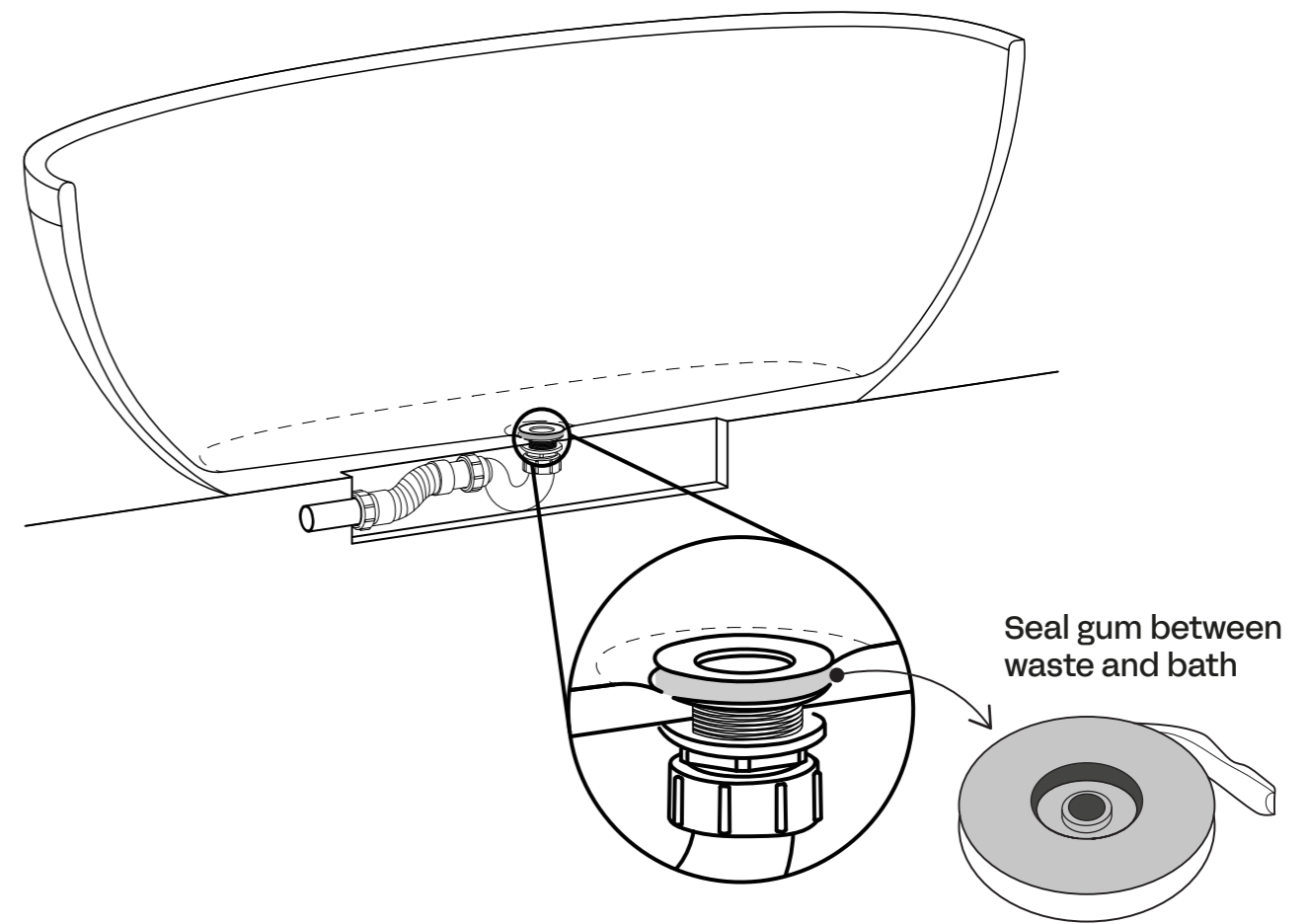
3



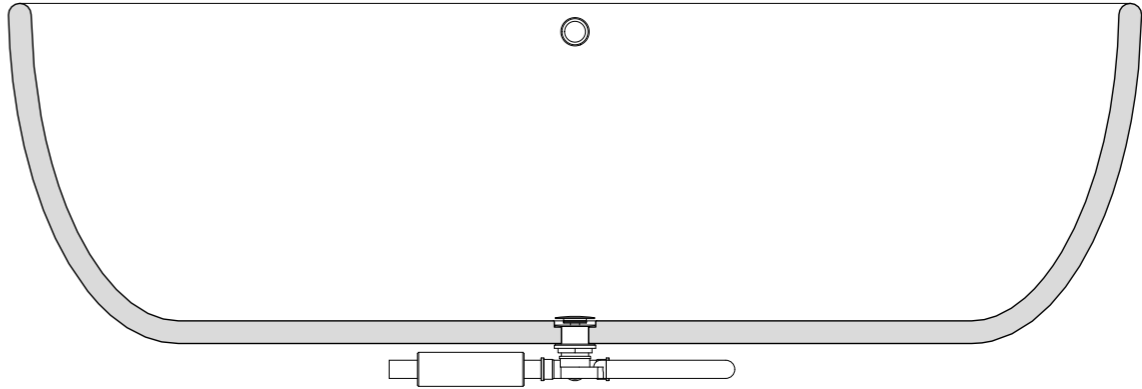
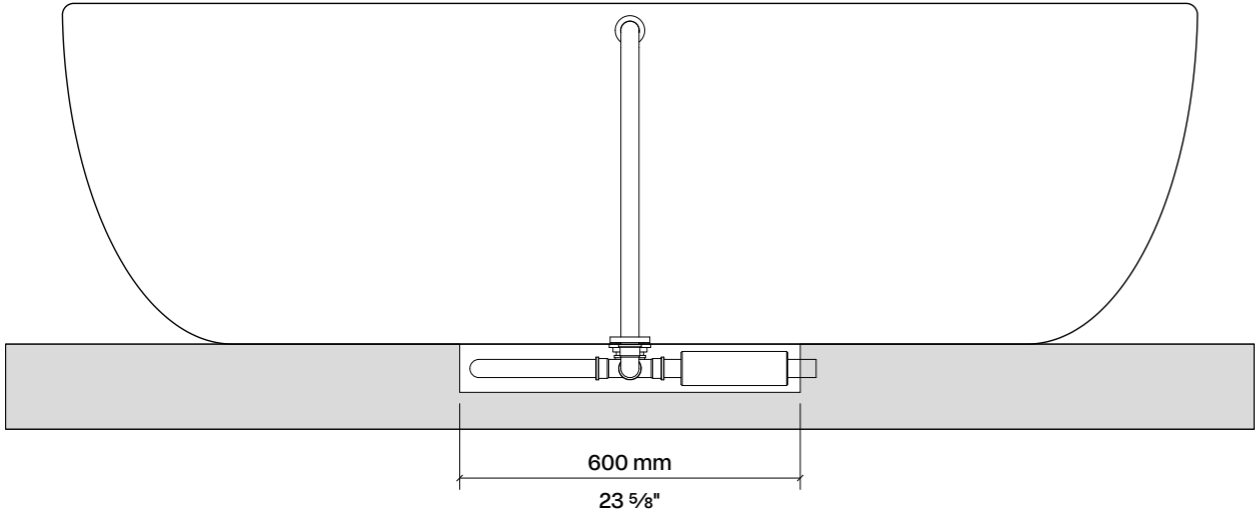
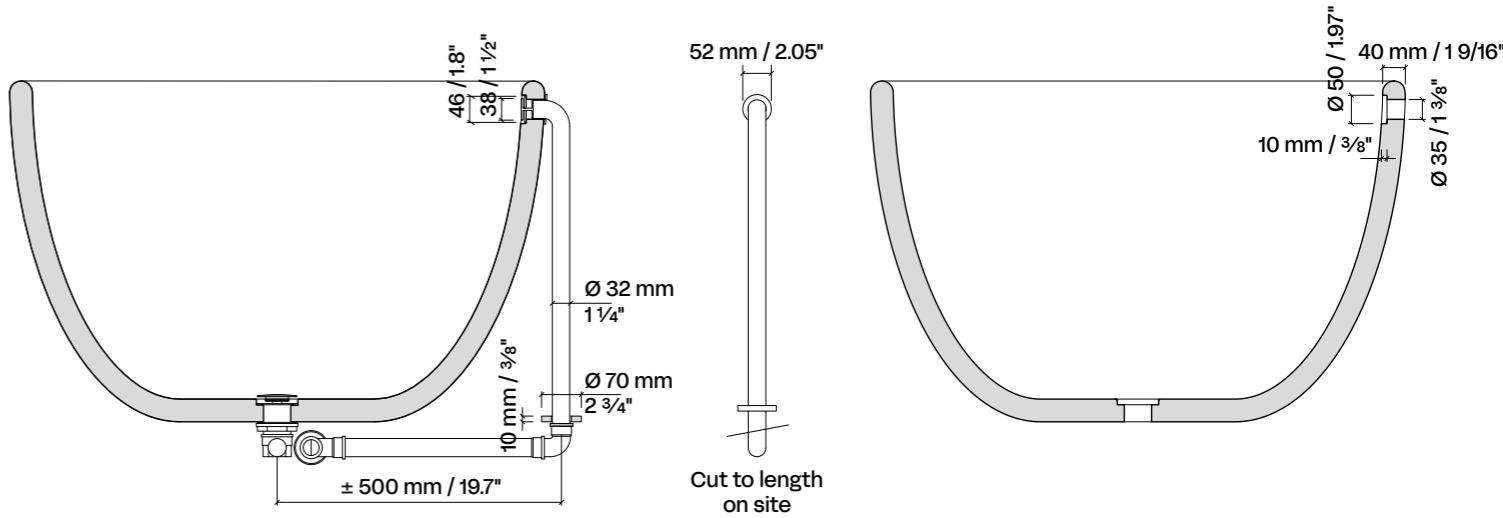
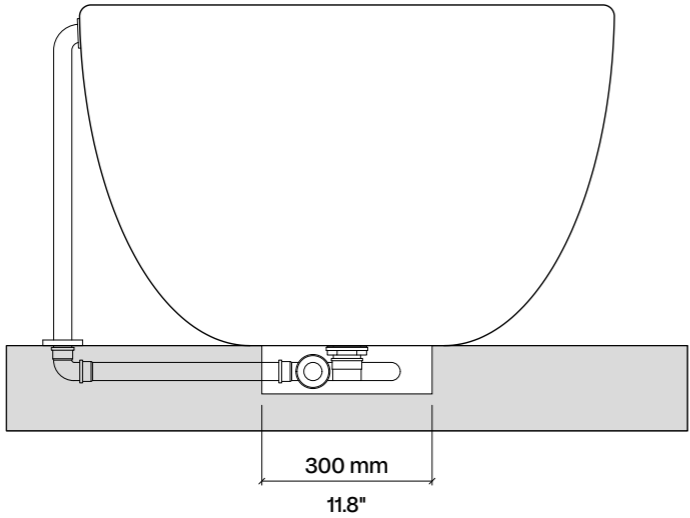
4



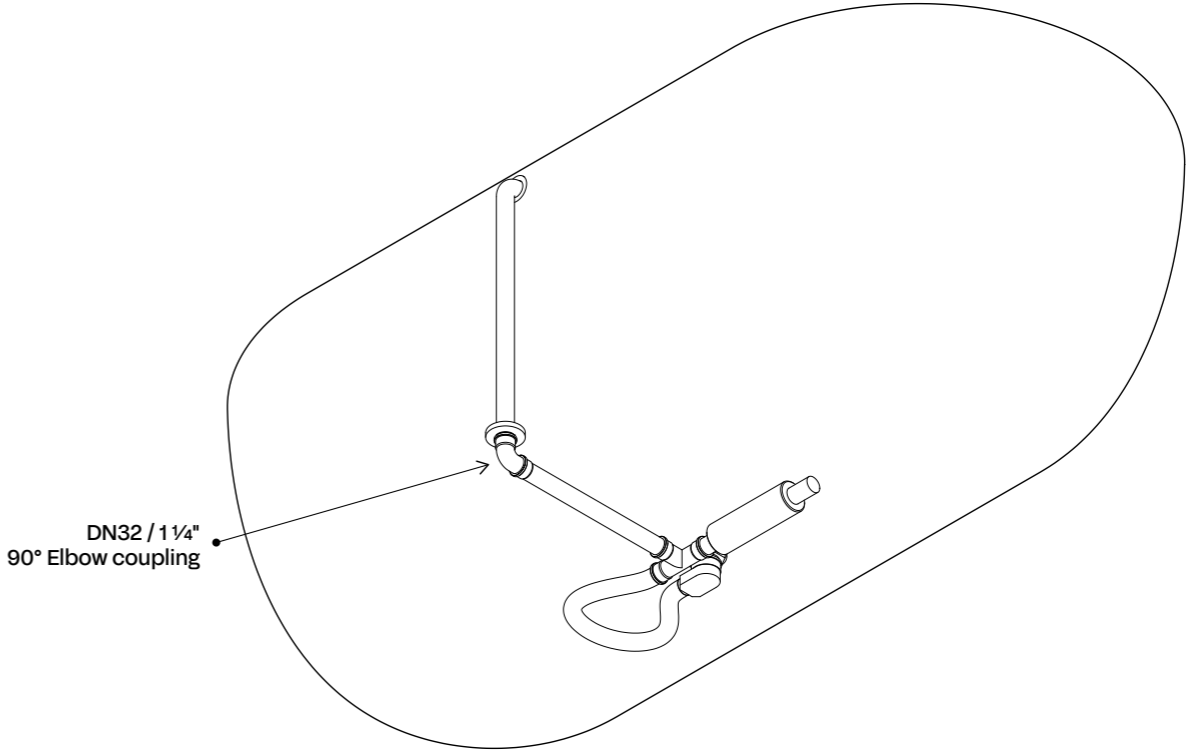
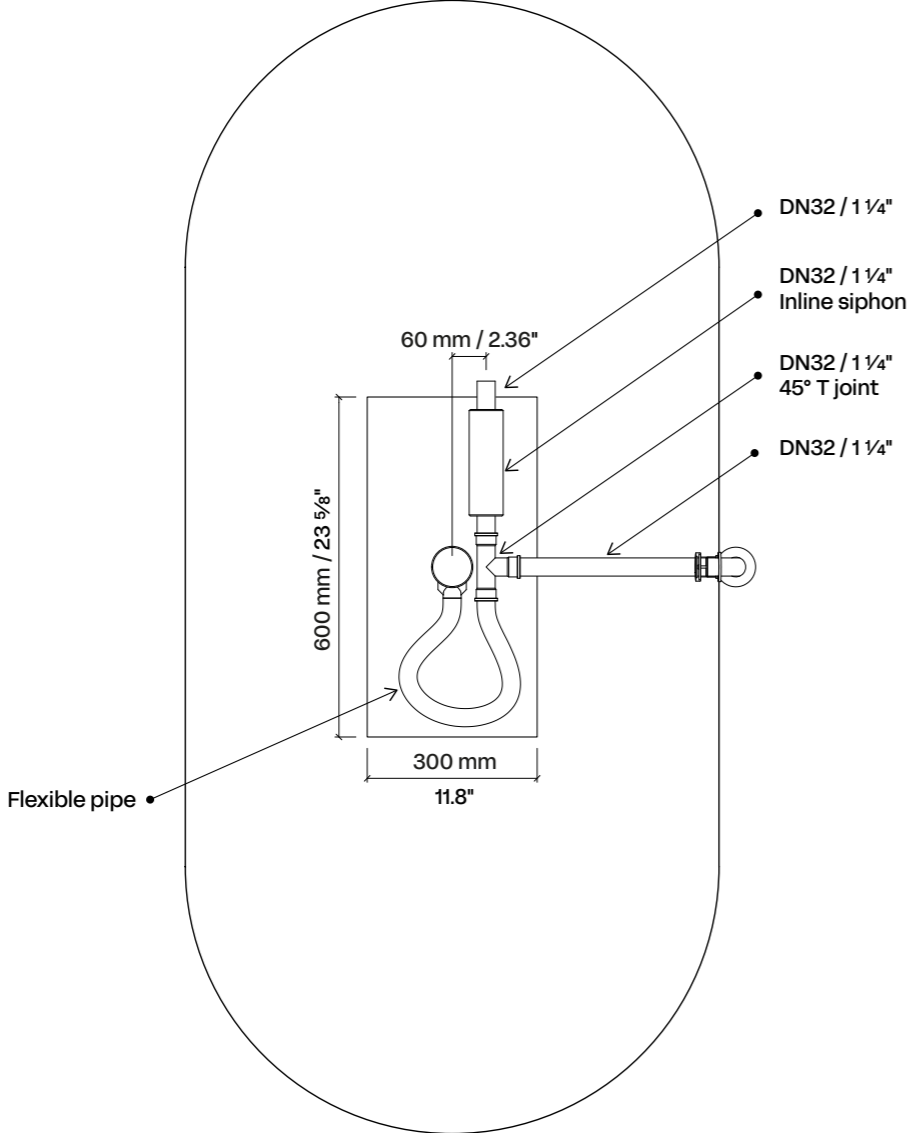
### Type I: Standard (no external overflow)



# Type II: Optional (with external overflow)



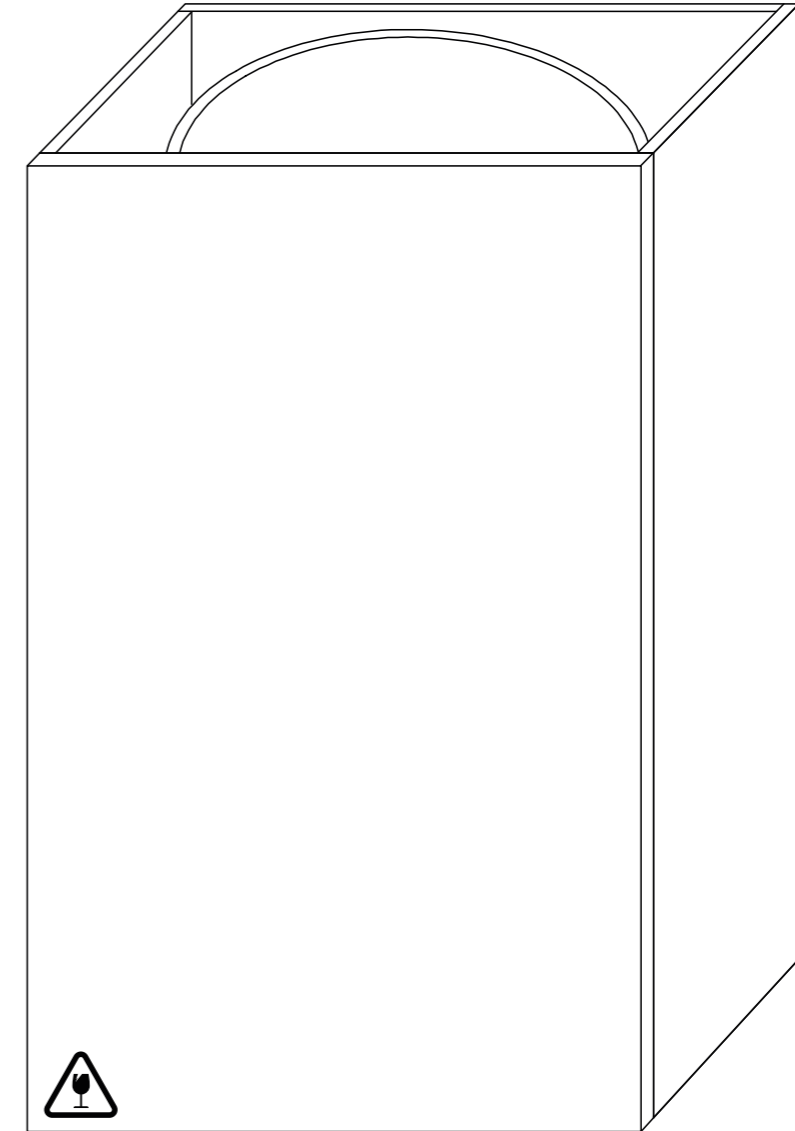
Type II: Optional (with external overflow)



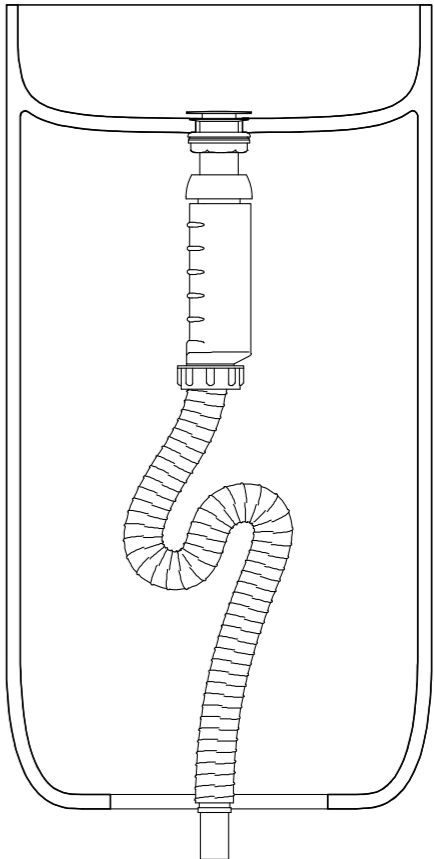
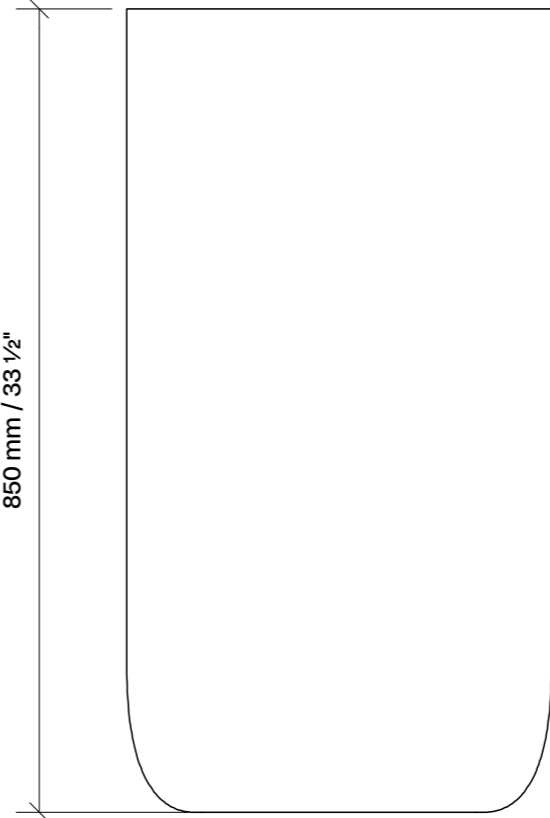
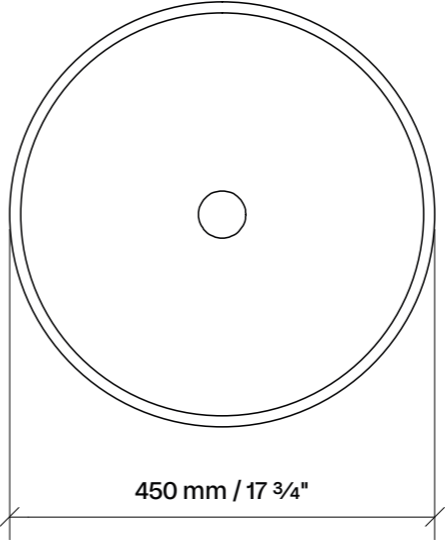
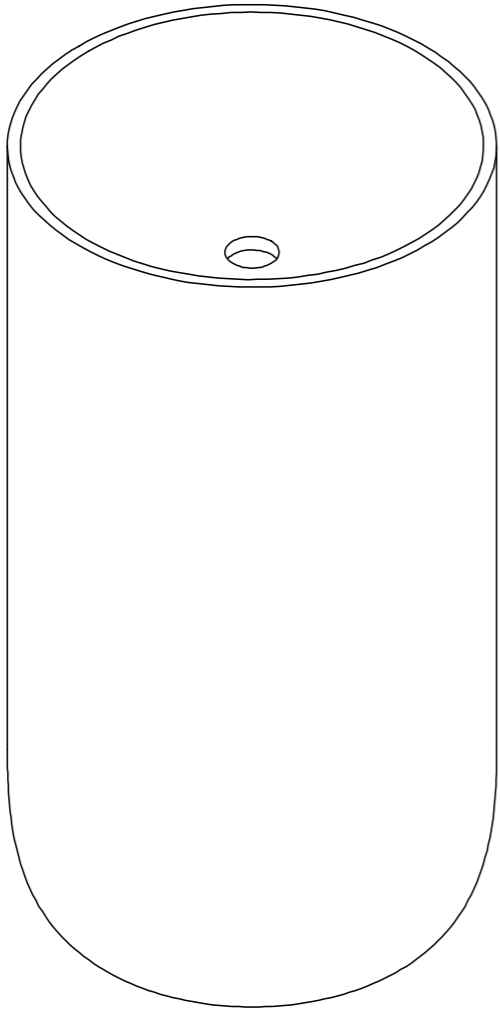
# Basins

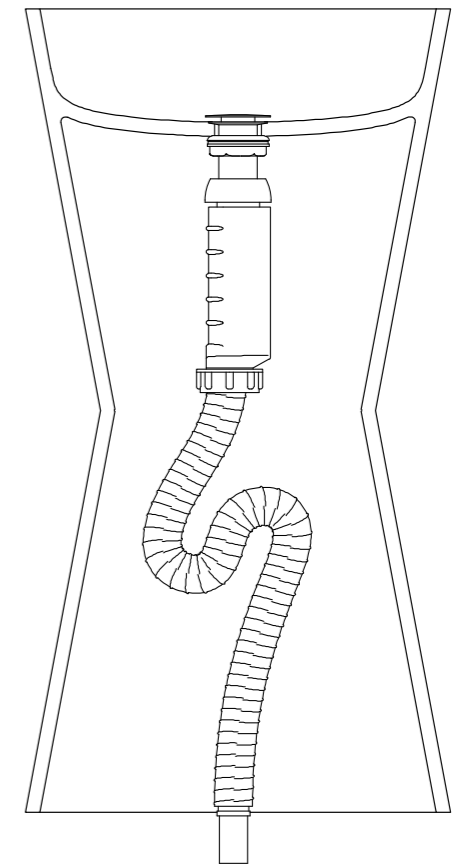
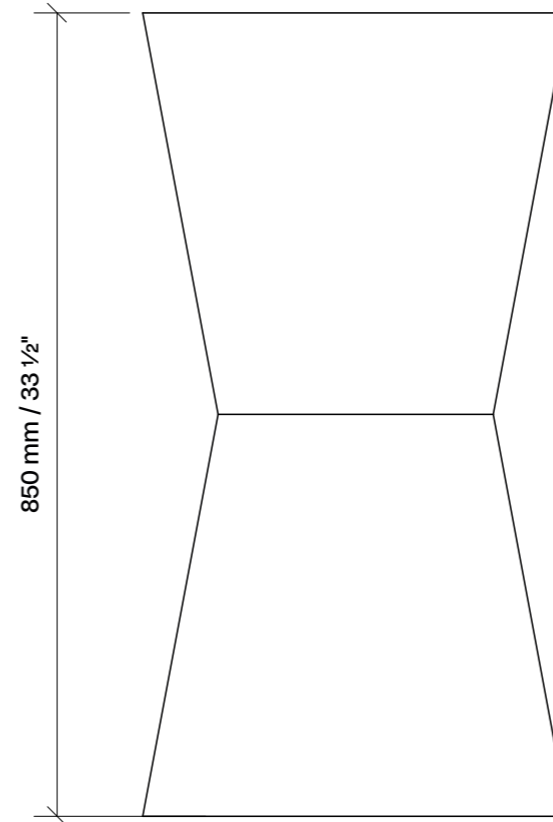
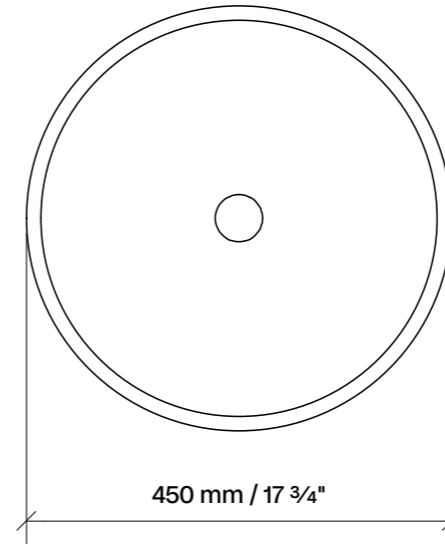
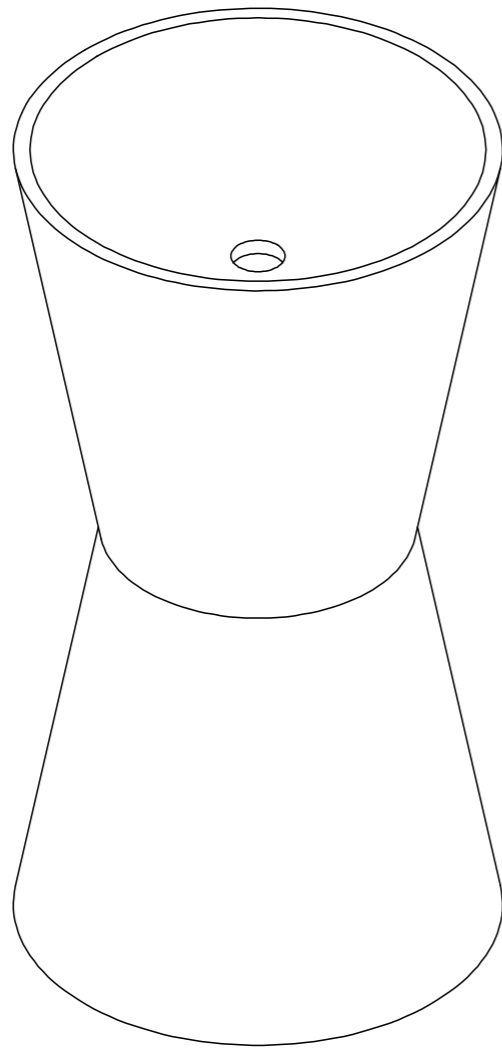
## 1. Unpack | Uitpakken | Déballer

EN | It is strongly recommended not to unpack the wash basin(s) until on-site for installation  
NL | Het wordt sterk aangeraden de waskom(men) pas op de plaats van installatie uit de verpakking te halen.  
FR | Il est recommandé de ne pas débiller le(s) lavabo(s) avant d'arriver au site d'installation.

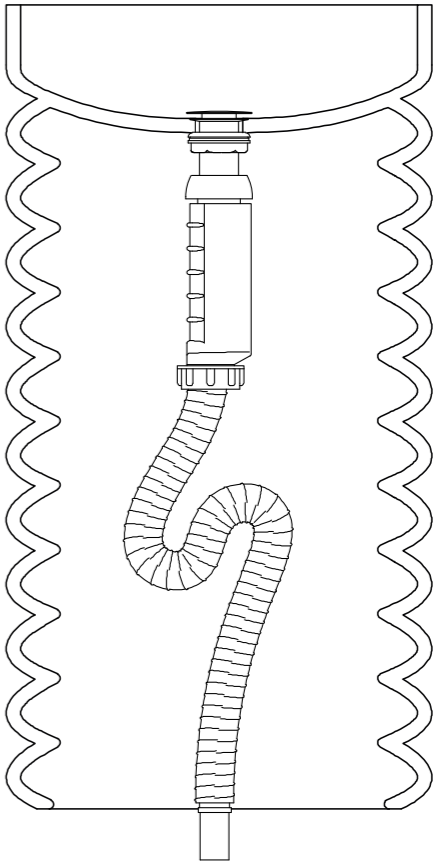
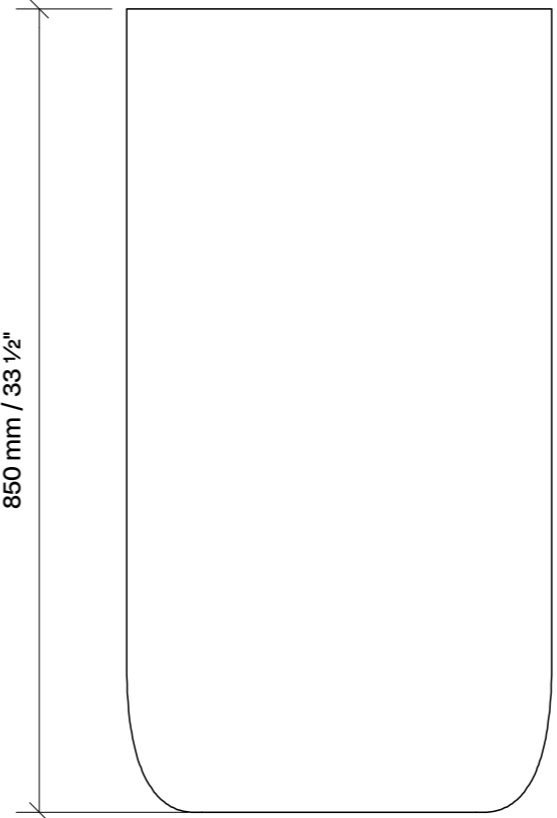
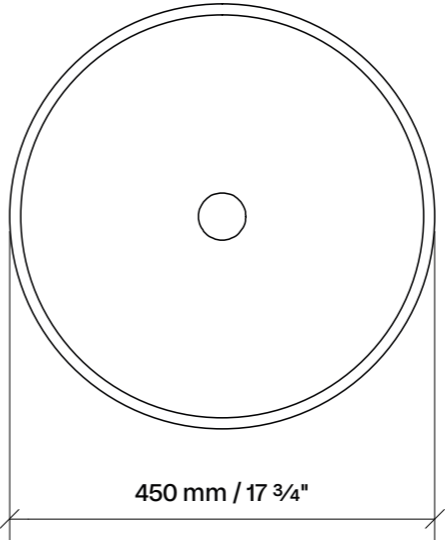
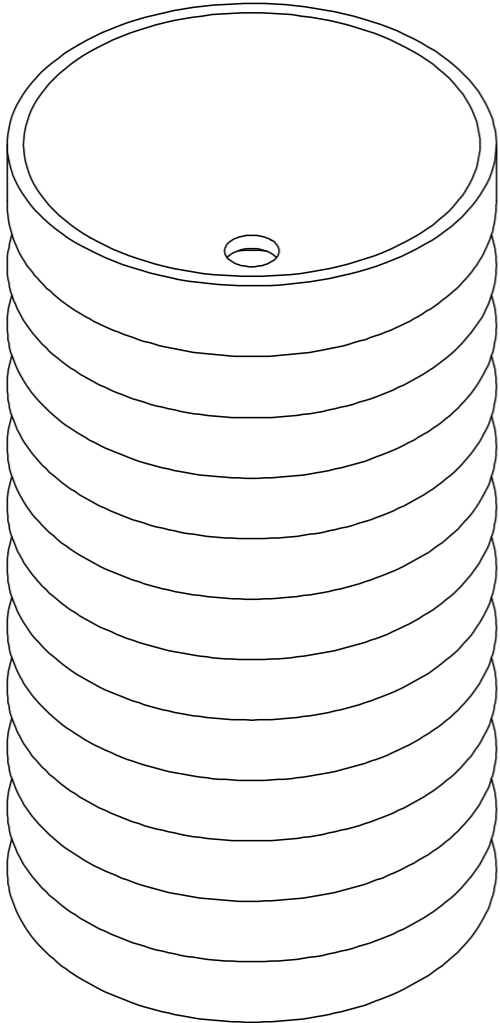


# 2. Installation | Installatie: Standard FB I

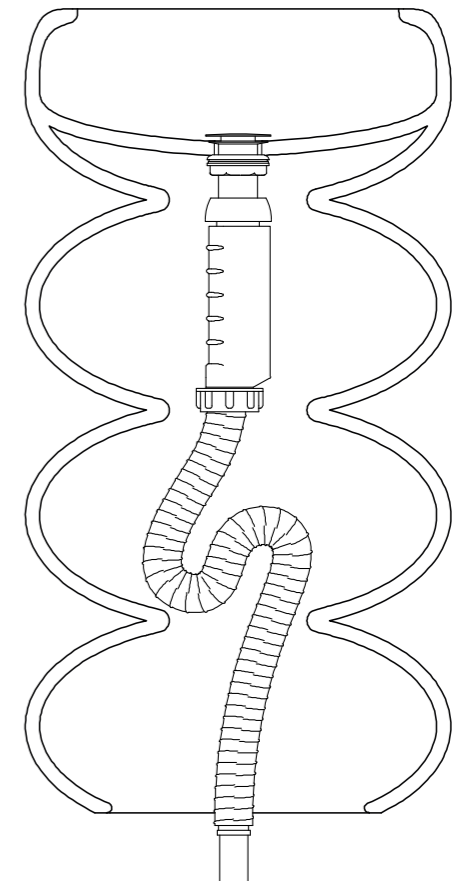
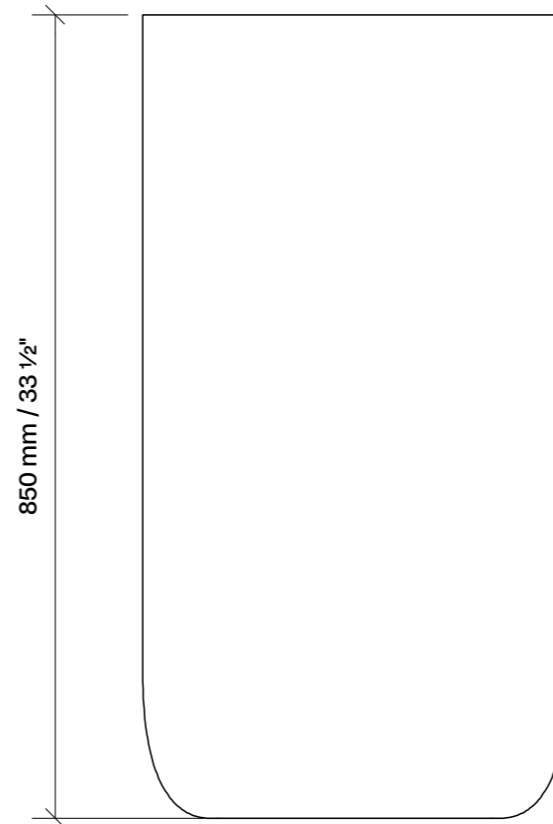
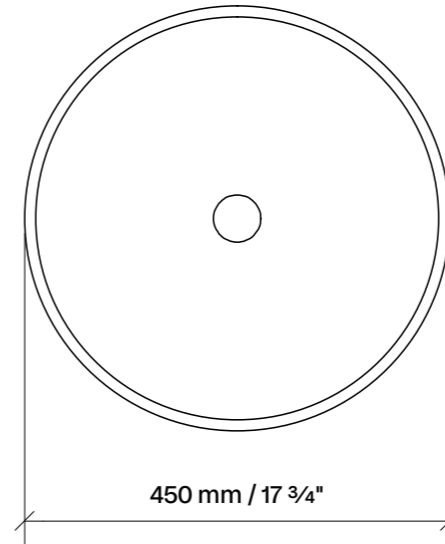
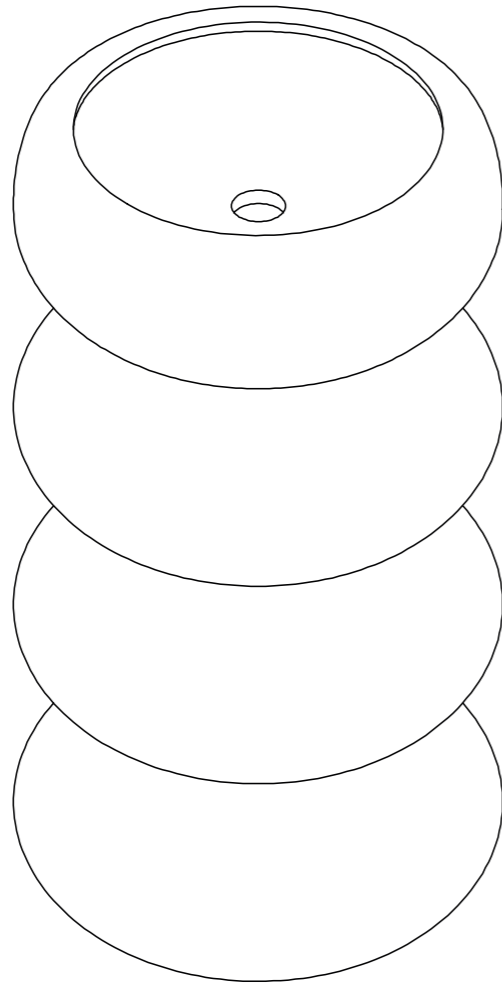




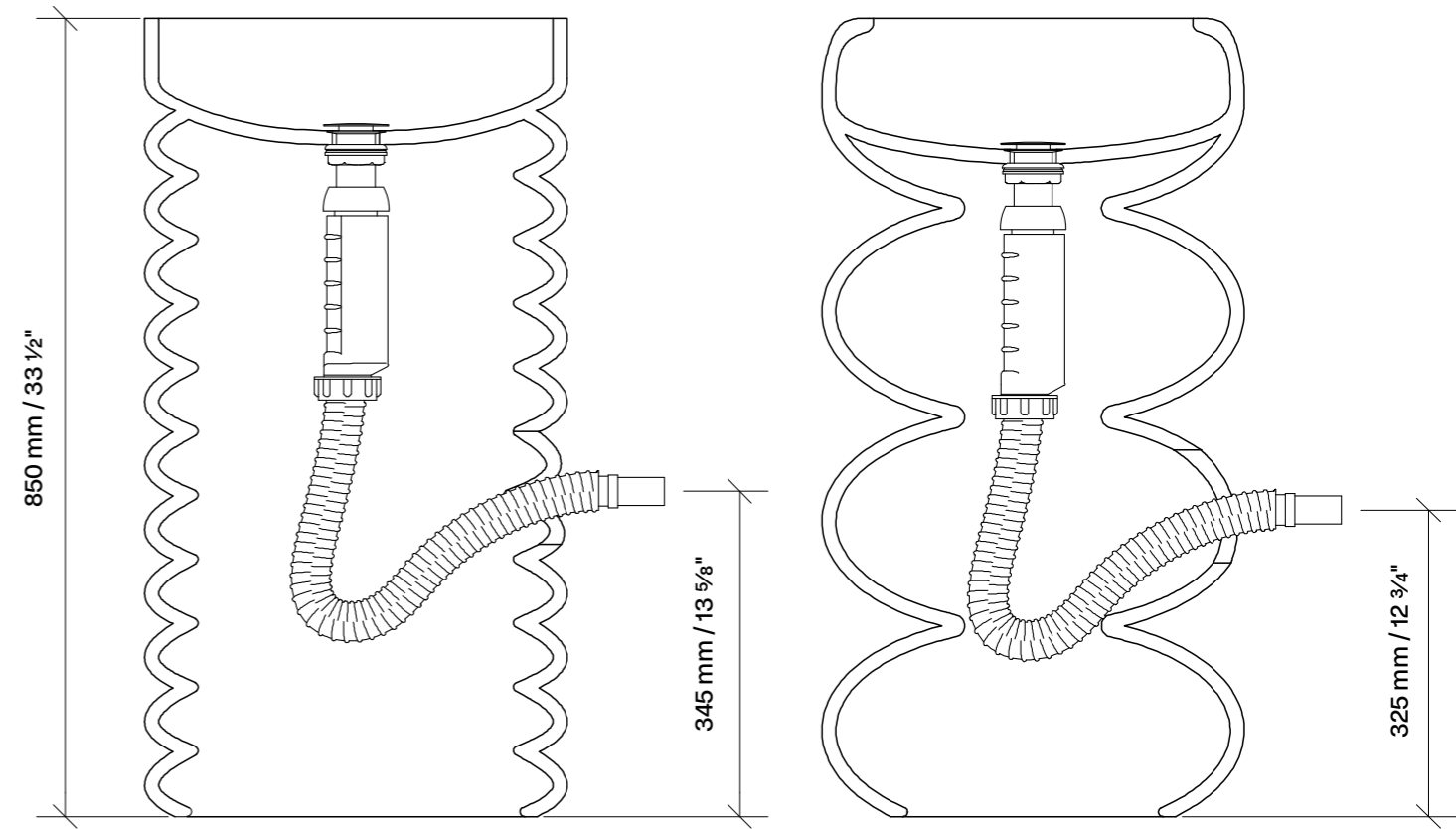
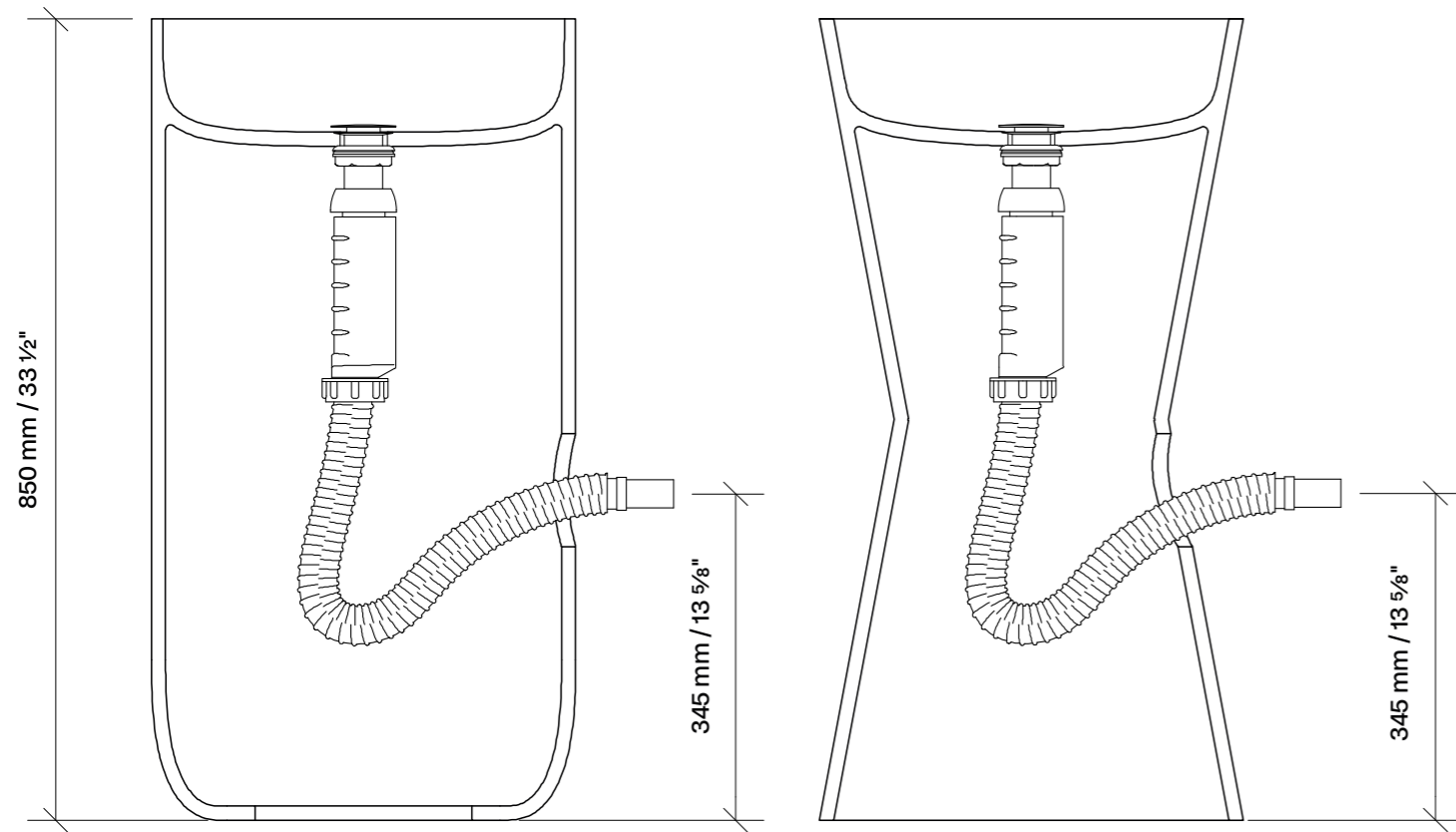
# FB III



# FB IV



## 2. Installation | Installatie: Optional FB I / FB II / FB III / FB IV



## Daily care

- 1** **AKEMI Crystal Clean**  
Spray and wipe with a soft cloth or sponge. Use 3 out of 4 times.



- 2** **AKEMI Triple effect**  
Spray and wipe with a soft cloth or sponge. Use 1 out of 4 times.



**⚠ IMPORTANT:** Make sure to not use a scouring pad.

## Annual care: Phase 1

- 3** **AKEMI Stain Repellant Super**  
Apply with a clean cloth.  
The interior surface and rim will absorb where needed within 5 min. Not absorbed area's should be wiped clean after 5 min.



**⚠ IMPORTANT:** Do not fill the bathtub or basin after treatment for at least 24 hours.

## Annual care: Phase 2 Immediately after treatment with AKEMI Stain Repellent Super

**4** AKEMI Solid Wax Transparent + AKEMI Polishing Fluid no. 10-2012

EN | Mix both products well and apply with a clean cloth.  
Once the diluted wax has been applied, start polishing with a lambswool polishing pad as shown on the picture of the solid wax pot.



**⚠ IMPORTANT:** Do not fill the bathtub after treatment for at least 24 hours.

**We're here to help**  
**info@studioloho.com**

OBJECTS

Clay Series

Fitting Instructions

©2025

STUDIOLOHO.COM