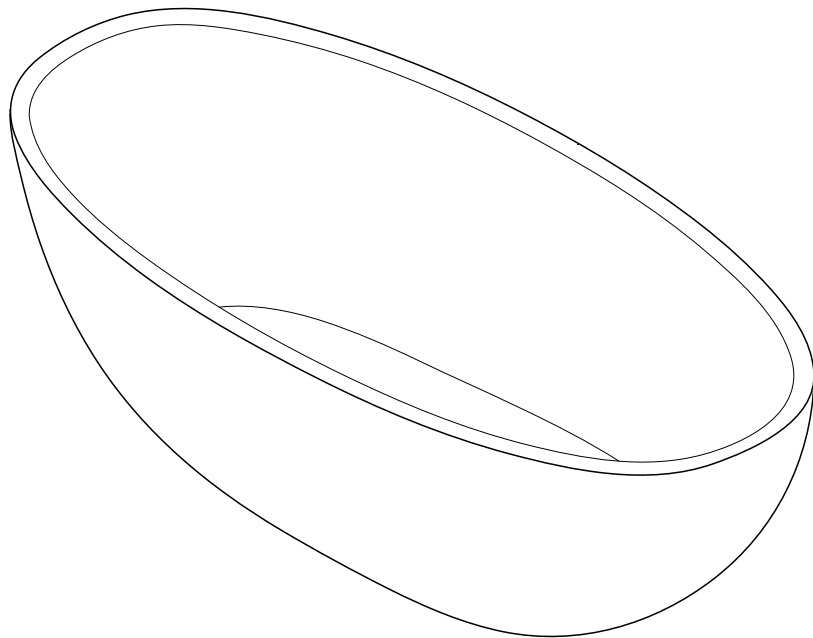


Fitting Instructions

This guide takes you through the steps for installing a LOHO natural stone bathtub.



LOHO

Including our recommendations for a safe and practical installation of our natural stone bathtubs — Large & Extra Large (±450 kg). It describes two proven installation methods, as well as specific guidelines for lifting, positioning, connecting the drain, and the electrical installation. These instructions are intended to support installers, logistics teams, and project managers, regardless of the location or building type.

1. Before the Installation	04
A. Preparatory Work	05
B. Electrical Diagram	08
C. Installation Options	10
2. Bathtub Installation	22
3. Frequently Asked Questions	30

1. Before the Installation

In this section, we walk you through the step-by-step connection of the integrated heating system type Schlüter® DITRA-HEAT-E-HK 4.

A. Preparatory Work

Step 1. General preparation

Heating specifications

Cable length: ± 4 m | Power: ± 50 W (12.5 W/m) | Current draw: ± 0.22 A

- Ensure access to a 230 V single-phase power supply in the room.
- Reserve a location in the wall for the thermostat.
- Provide a floor build-up or wall conduit for cable routing between the bathtub and the thermostat.

Step 2. Electrical protection

- Install a 6 A miniature circuit breaker in the distribution board (overload protection).
- Add a 10 mA RCD (additional protection for wet areas), in addition to the general 30 mA RCD.
- Bond the metallic sheath of the heating cable to earth (PE).

Step 3. Thermostat connection

Recommended model: Schlüter® DITRA-HEAT-E-R (230 V controlled)

- Bring 230 V to the thermostat (L + N, earth if applicable).
- Mount the thermostat in the same room as the bathtub, but not within 1.60 m of the tub itself.

⚠ Setting the correct control mode

The Schlüter® DITRA-HEAT-E-R thermostat has a built-in air sensor (room temperature) and an external floor sensor. For this application (heating beneath a natural stone bathtub), set the thermostat to room temperature control (air mode) to prevent the heating from switching off too early.

🔧 To change the setting:

In the thermostat menu, go to Control Type or Sensor Settings.

Select: Air or Air Sensor.

Save the settings.

Step 4. Connecting the heating system

A “cold lead” (non-heating) runs from the thermostat to the bathtub.
This lead is factory-connected to the internal heating system in the tub.
The standard cold lead length is ± 4 m.

- Connect the cold lead to the thermostat's Load terminals.
- If required, the lead may be extended, provided the conductor cross-section is correct and the joint is watertight.

Step 5. Cable routing & position

The cable exits at the bottom of the tub (near floor level).
The routing direction is flexible: floor, wall, or cable tray/duct.
A reference photo can be provided on request to assist placement.

- Avoid tight bends.
- Allow sufficient movement/play.

Step 6. Checks & commissioning

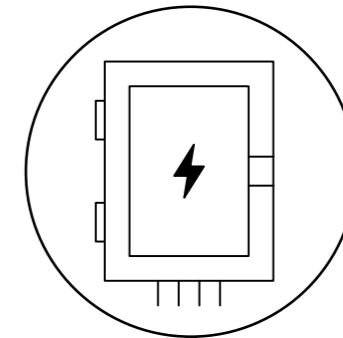
- Verify the entire electrical connection for continuity, correct earthing, and proper load.
- Set the thermostat to the desired temperature.

Test the system operation:
After a few minutes, the tub surface should start to warm perceptibly.
Check that the sensor switches correctly with temperature changes.

B. Electrical Diagram

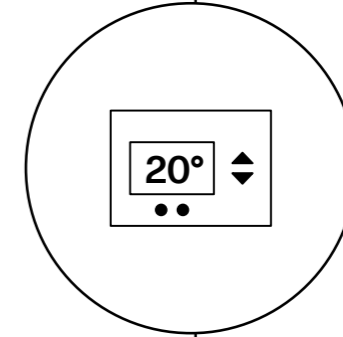
In this section we discuss the electrical diagram for connecting the integrated heating system type Schlüter® DITRA-HEAT-E-HK 4.

Distribution board



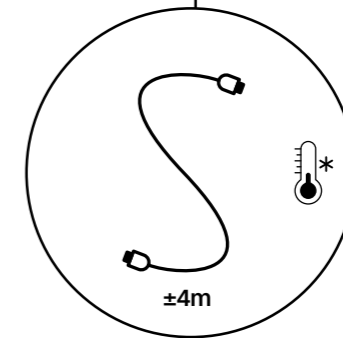
230 V
6 A
10 mA RCD

Thermostat



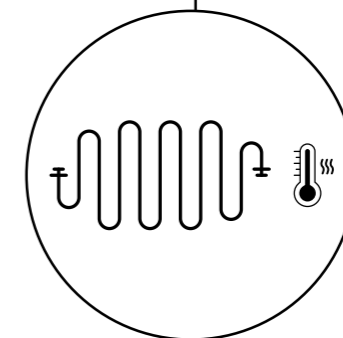
230 V
with internal sensor

Cold lead



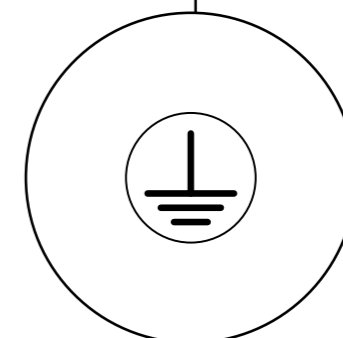
± 4 m
non-heating

Heating element



pre-installed in tub
± 50 m
± 0,22 A

Earth



via metallic sheath

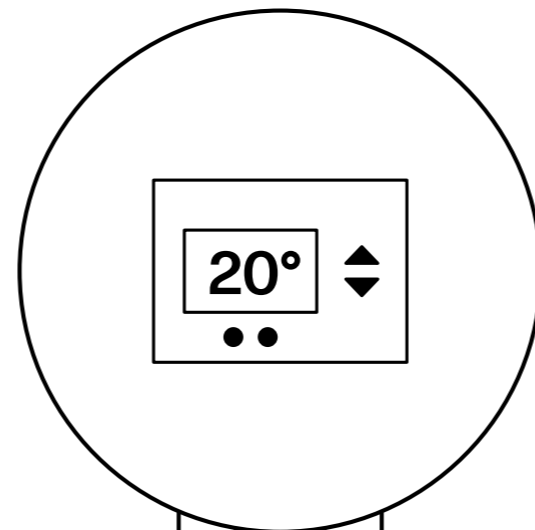
C. Installation Options

In this section we go through the different options available for installing the heating system type Schlüter® DITRA-HEAT-E-HK 4

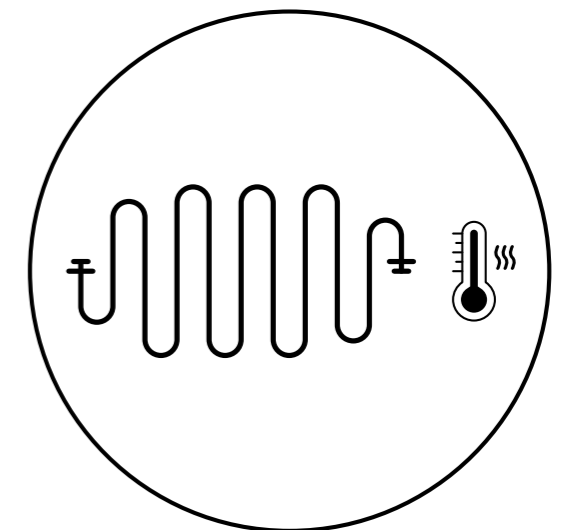
C1. Basic Setup	12
C2. Setup with External Switch	14
C3. Setup met Externe Schakelaar & Vertraging	16
C4. Setup met Smart Controle	18
C5. Setup met Flow Switch	20

C1. Basic Setup

Thermostat
Schlüter® DITRA-HEAT-E-R4
built-in temperature sensor



Heating element
Schlüter® DITRA-HEAT

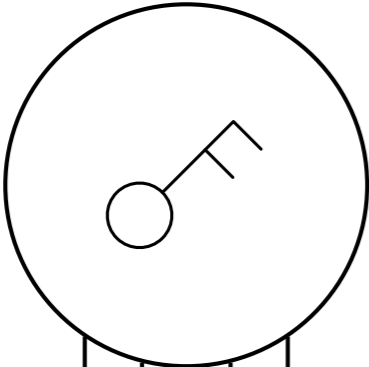


L

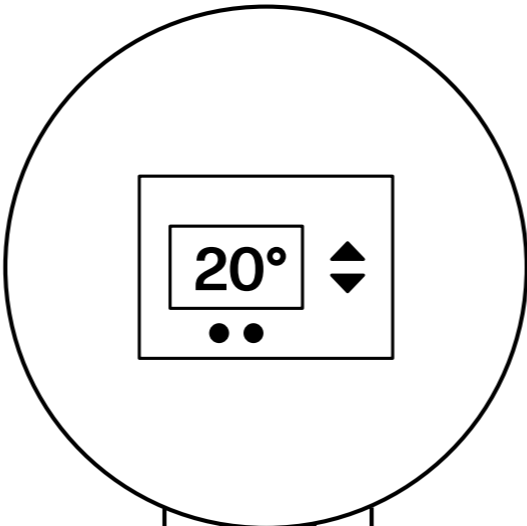
N

C2. Setup with External Switch

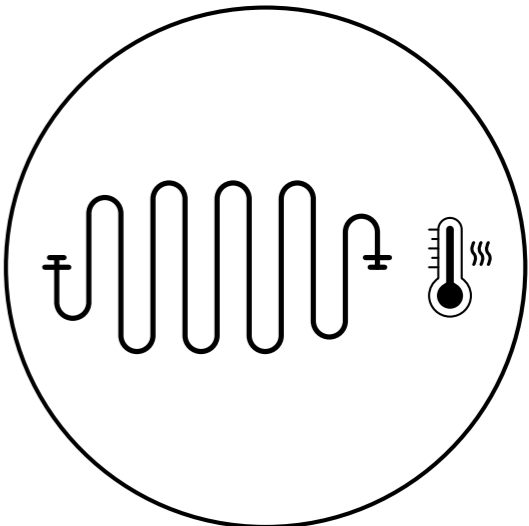
Double-pole switch



Thermostat Schlüter® DITRA-HEAT-E-R4 built-in temperature sensor



Heating element Schlüter® DITRA-HEAT



L

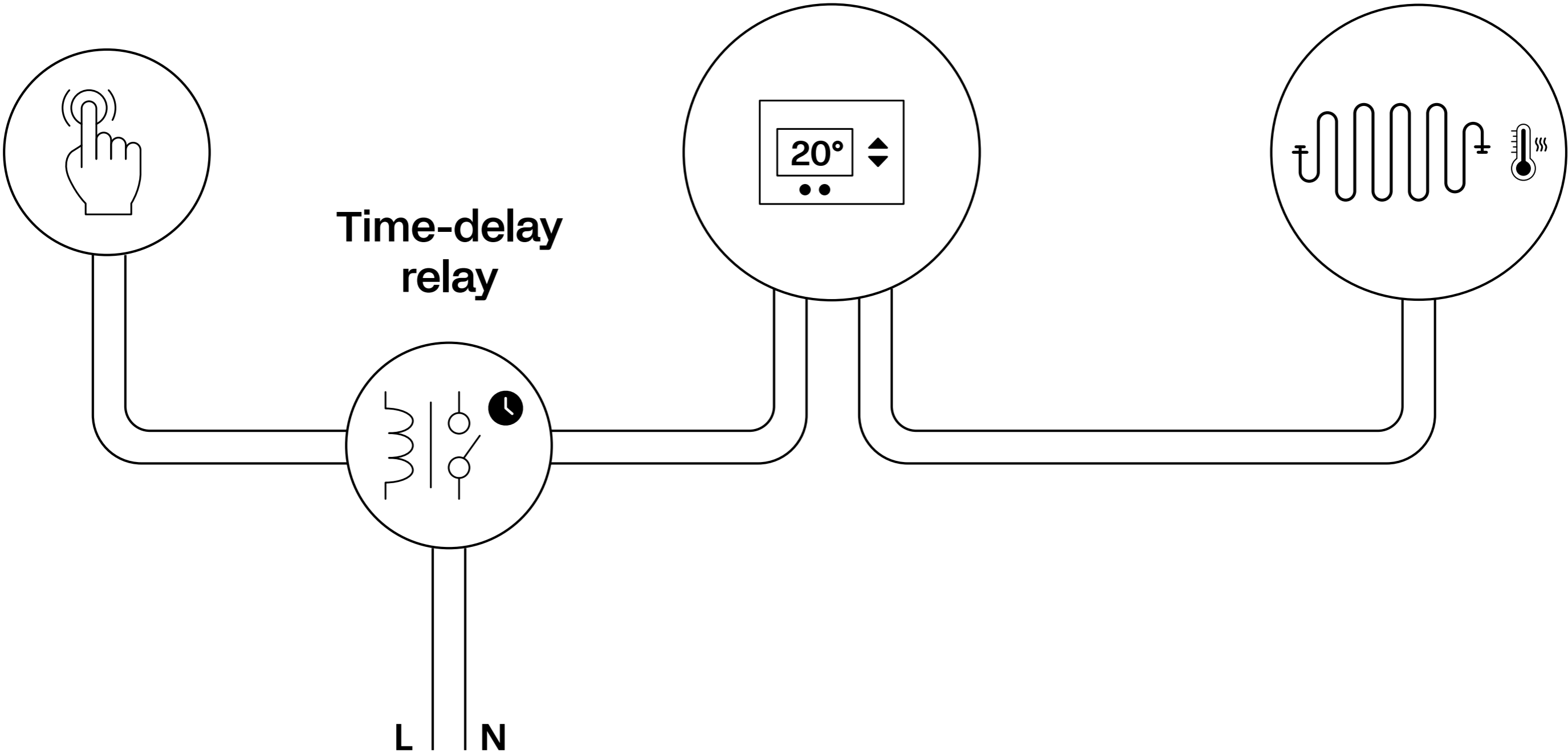
N

C3. Setup with External Switch & Time Delay

Push-button

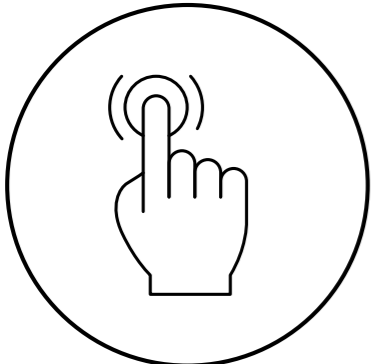
Thermostat
Schlüter® DITRA-HEAT-E-R4
built-in temperature sensor

Heating element
Schlüter® DITRA-HEAT

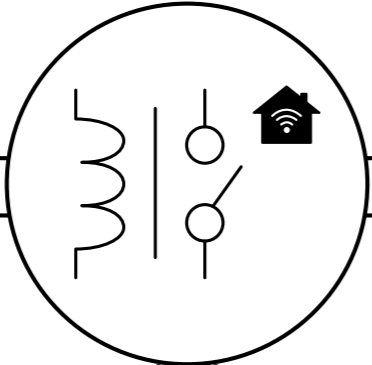


C4. Setup with Smart Control

**Push-
button**

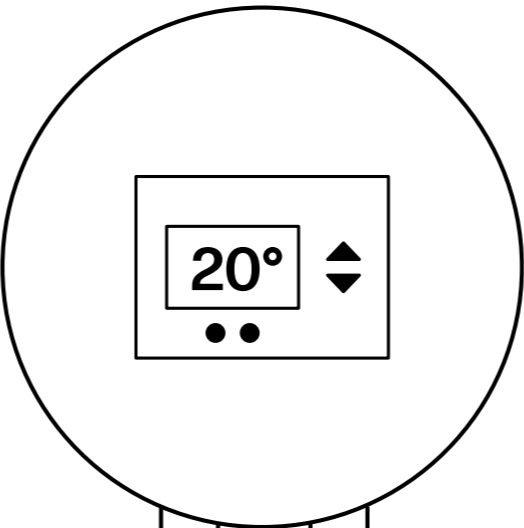


**Smart-home
controlled
relay**

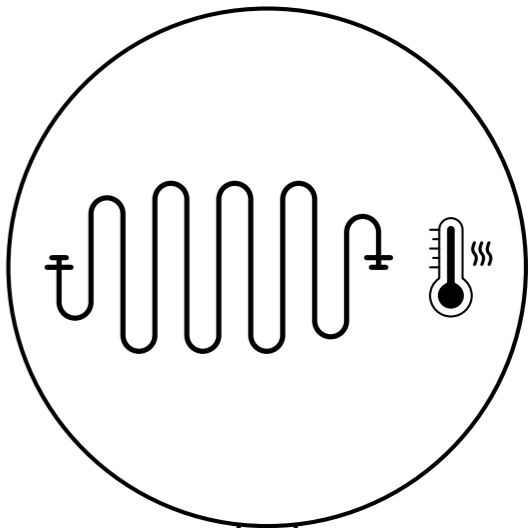


L | N

Thermostat
Schlüter® DITRA-HEAT-E-R4
built-in temperature sensor

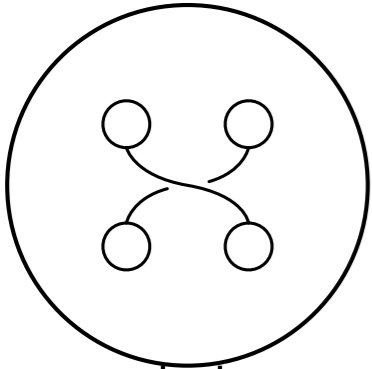


Heating element
Schlüter® DITRA-HEAT

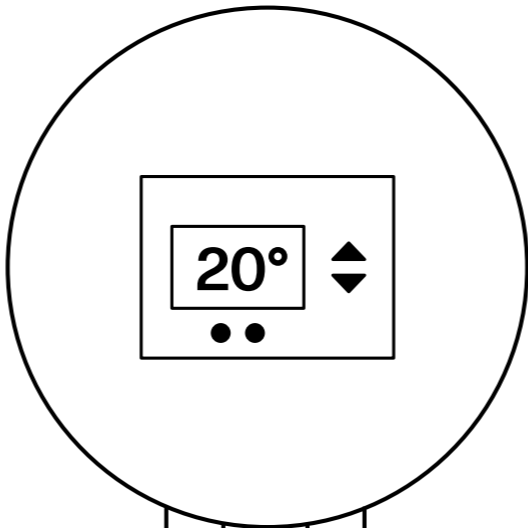


C5. Setup with Flow Switch

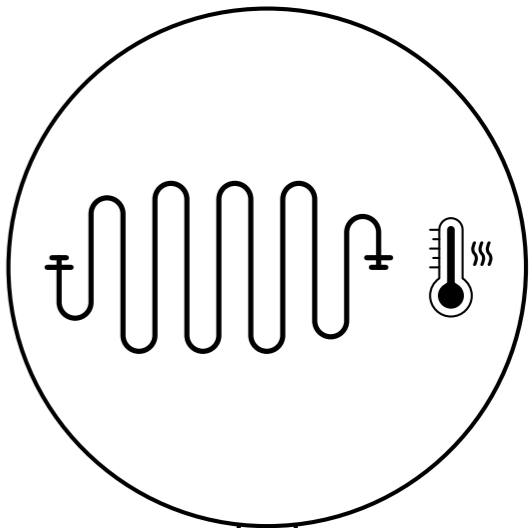
**Flow
switch**



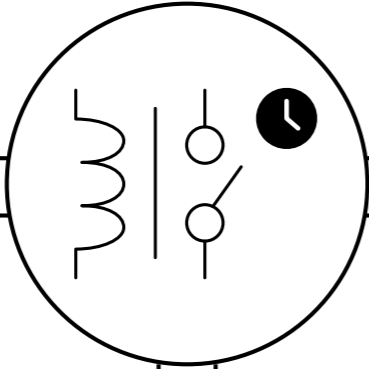
Thermostat
Schlüter® DITRA-HEAT-E-R4
built-in temperature sensor



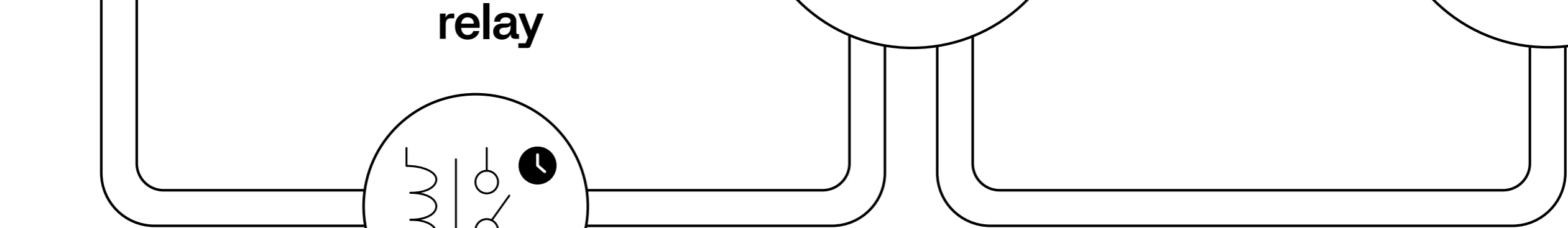
Heating element
Schlüter® DITRA-HEAT



**Time-delay
relay**



L | N

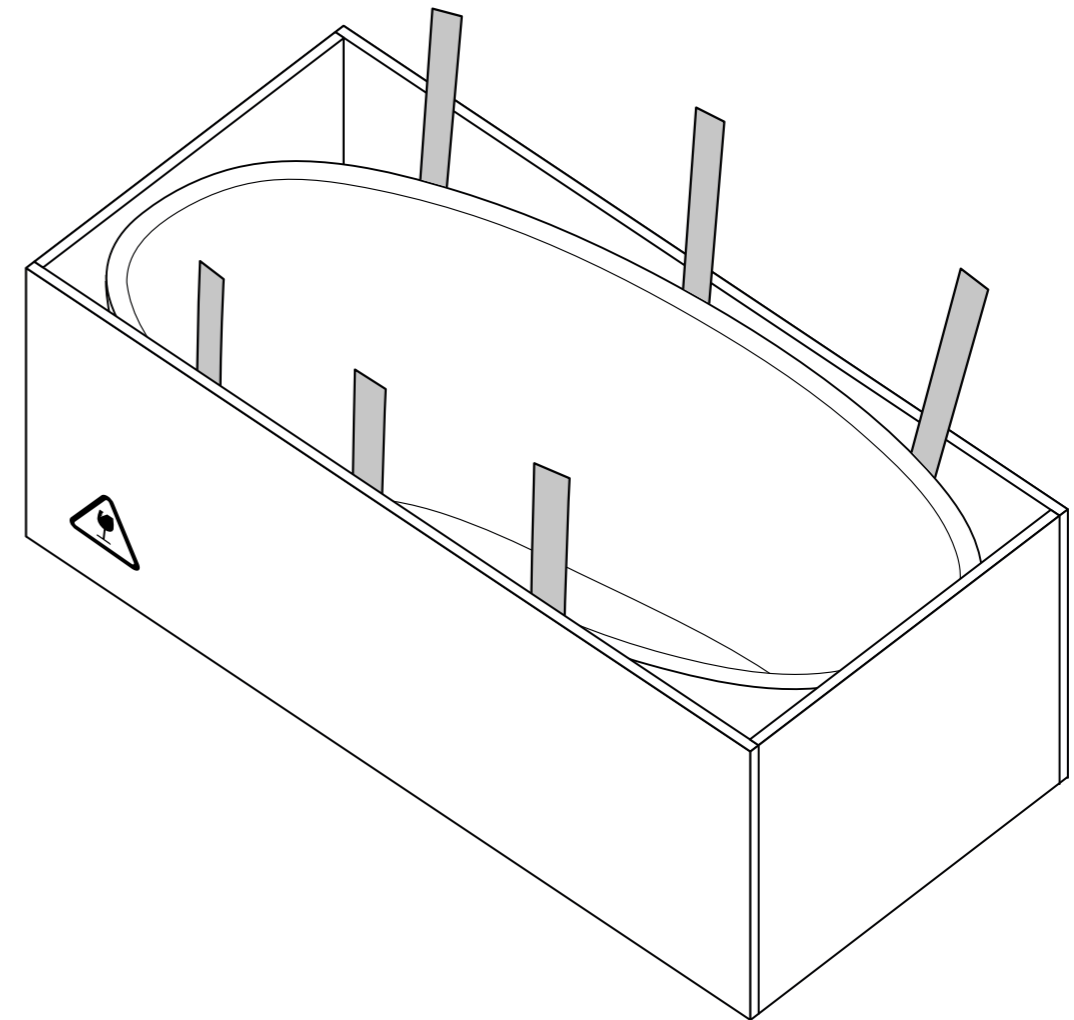


2. Bathtub Installation

Our recommendations for a safe and practical installation of our natural stone bathtubs, models Large & Extra Large (± 450 kg)

1. Packaging & lifting slings

Our bathtubs are always delivered with 3 lifting slings, which are placed under the tub during production. These slings remain under the tub during transport up to the final installation room. They are used to handle the tub safely and can be easily removed after installation without risk of damage.



2. Placement Option 1: Installation with a gantry crane (recommended)

Step 1: Transport into the bathroom

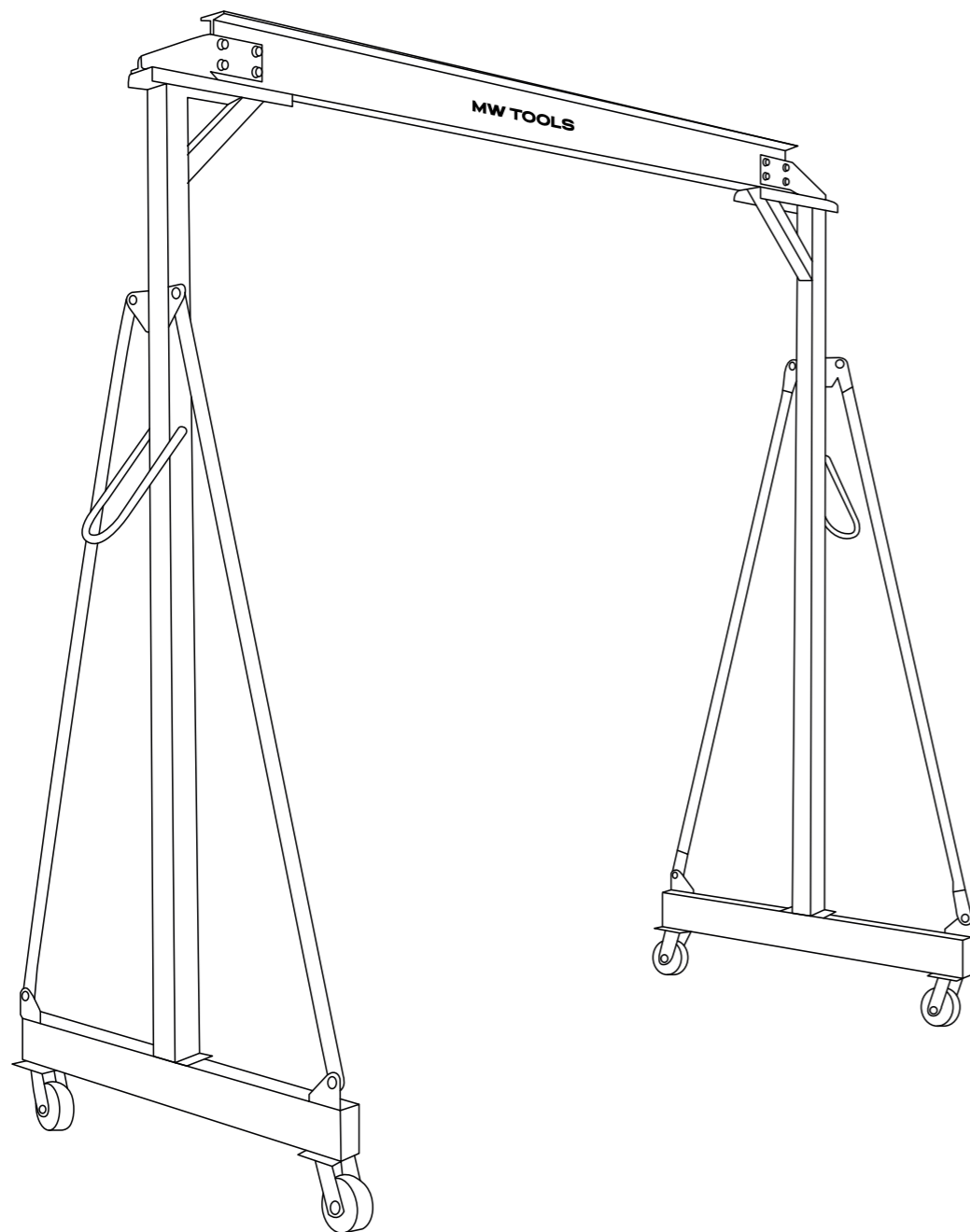
- Place the tub on moving dollies using the supplied slings.
- Roll it as close as possible to the connection point.

Step 2: Vertical lift with gantry crane

- Use a gantry crane to lift the tub (available for hire from professional rental companies).
- Cross the slings during lifting so they don't get pinched between tub and floor; this allows easy removal after placement without tilting the tub.

Step 3: Connect first, then lower

- Connect the drain and power while the tub is still suspended.
- Then gently lower the tub into its final position.



3. Placement Option 2: Rolling the tub into position

Step 1: On moving dollies

Roll the tub on dollies to directly above the drain connection.

Step 2: Fine positioning with a wooden stick

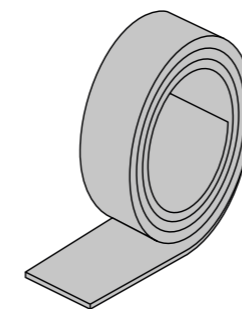
If necessary, place a round wooden stick (e.g., a broom handle) under the tub to roll it a few additional centimetres.

Step 3: Removing the slings

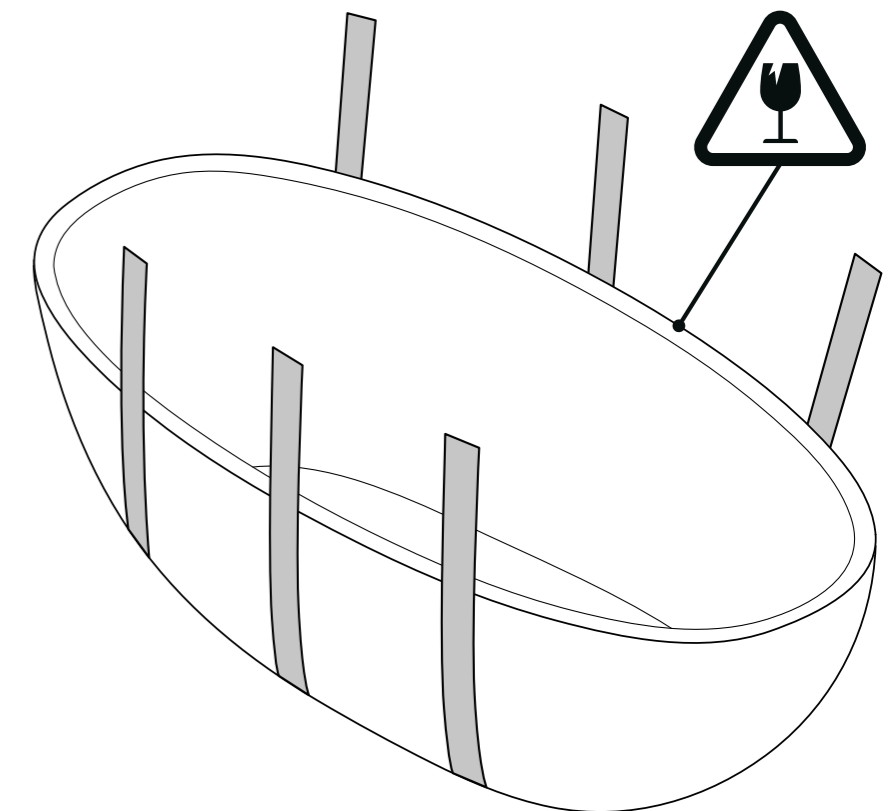
The tub may be tilted slightly on one side to pull the slings out. This can be done safely without risk of damaging the tub surface.



6x



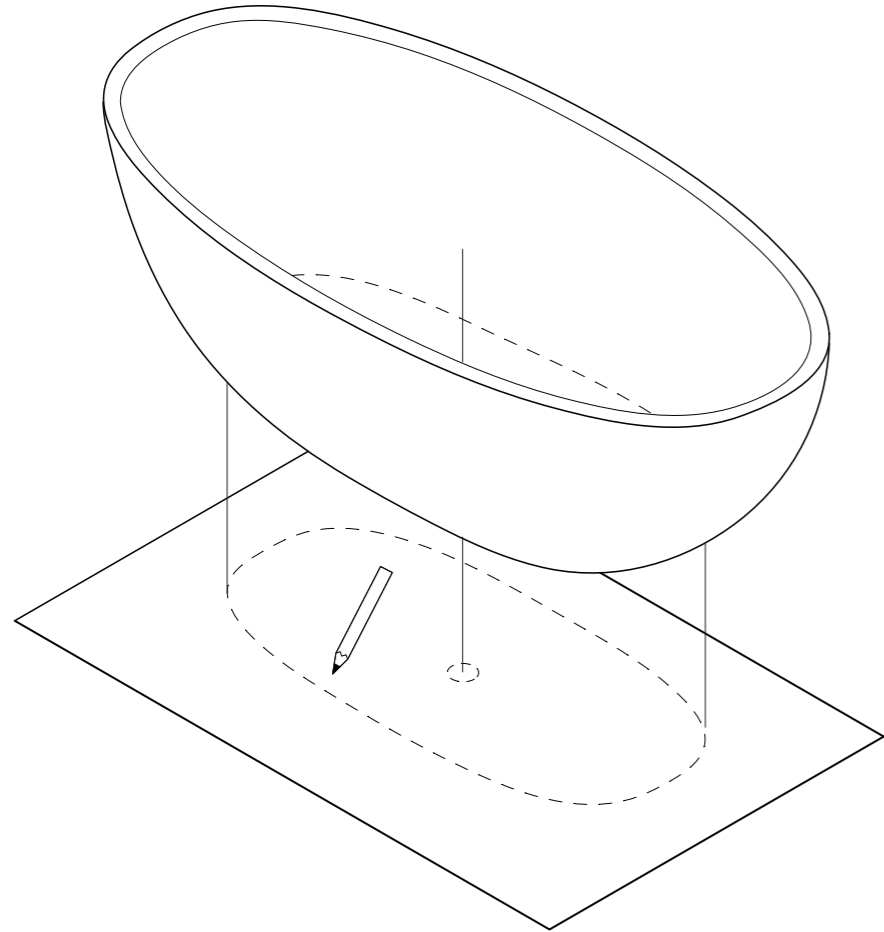
3x



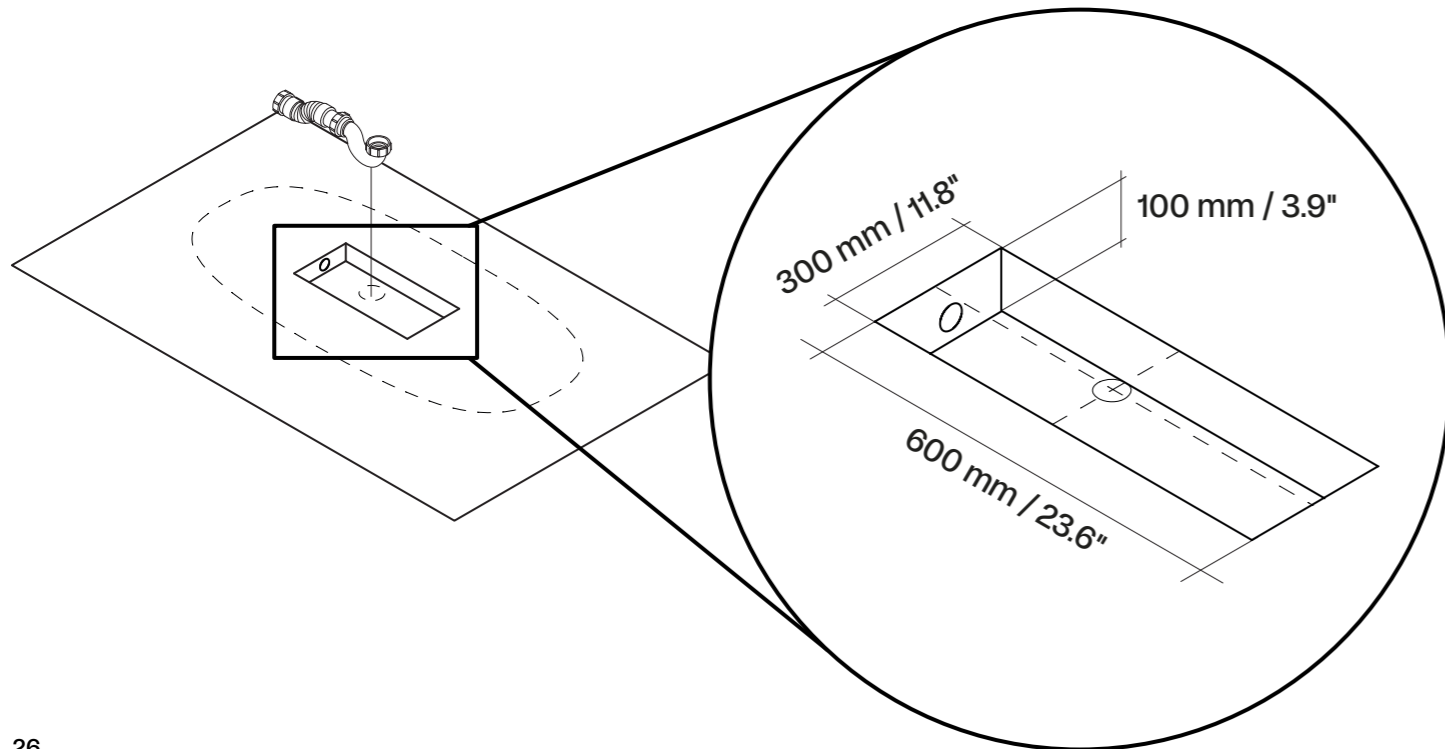
4. Drain connection

Studio LOHO supplies each natural stone bathtub with a flexible drain hose. This can serve as a trap if installed in a loop, or you can connect a traditional trap. Provide about ± 10 cm of space beneath the tub so the tub's weight does not rest on the trap. Preferably make the connection while the tub is not yet on the floor (see Placement Option 1).

1



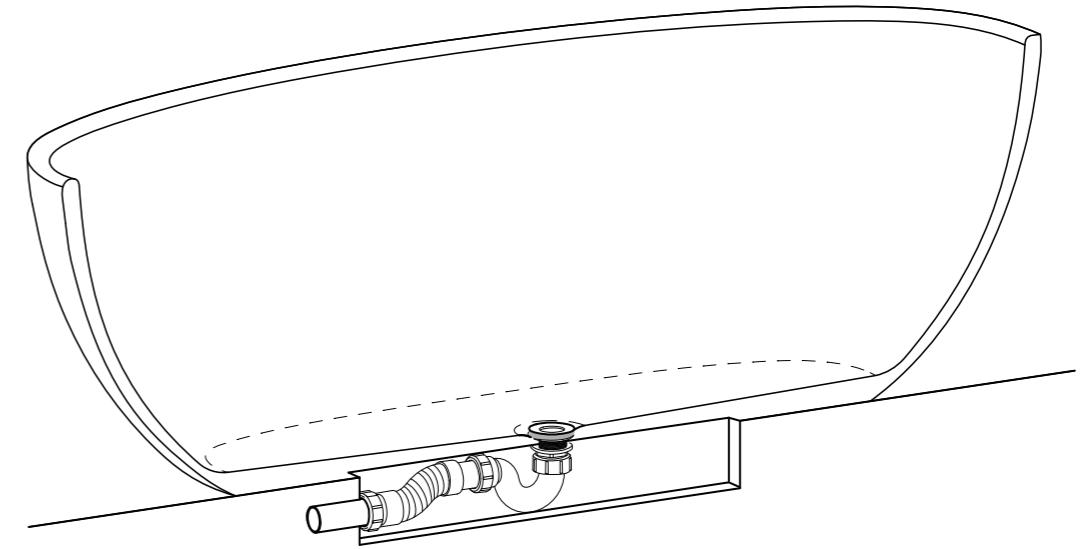
2



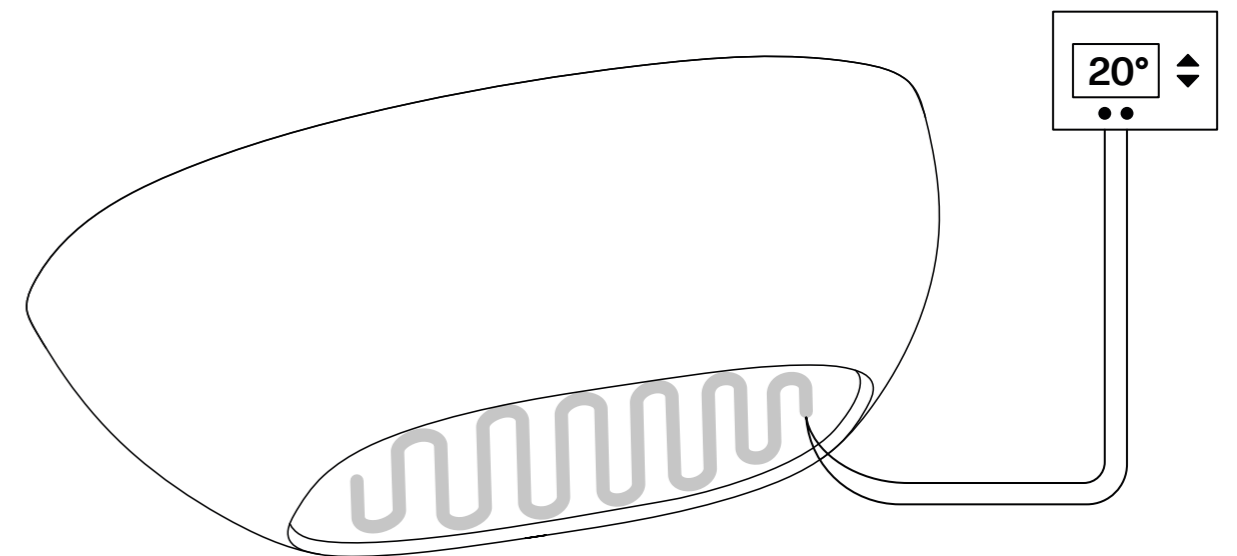
5. Electrical connection

Our natural stone tubs come standard with an integrated electric heating system. The cold supply lead (± 4 m) exits at the bottom of the tub (see technical drawing). This cable can be extended and rerouted, provided the work is done correctly and watertight. There is sufficient space under the tub to guide the cable to the desired connection point.

3



4



6. Maintenance

Daily care

- 1** **AKEMI Crystal Clean**
Spray and wipe with a soft cloth or sponge. Use 3 out of 4 times.



- 2** **AKEMI Triple effect**
Spray and wipe with a soft cloth or sponge. Use 1 out of 4 times.



⚠ IMPORTANT: Make sure to not use a scouring pad.

Annual care

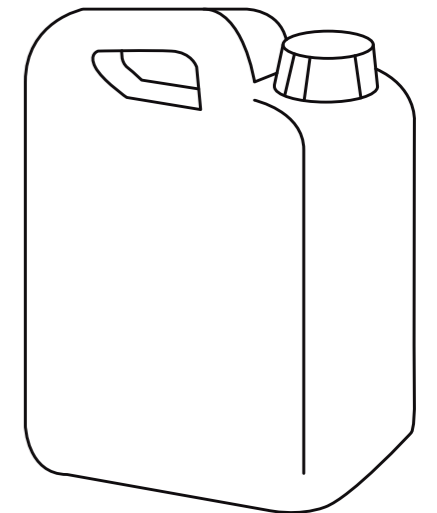
- 3** **AKEMI Stain Repellant Super**
Apply with a clean cloth.
The interior surface and rim will absorb where needed within 5 min. Not absorbed area's should be wiped clean after 5 min.



⚠ IMPORTANT: Do not fill the bathtub or basin after treatment for at least 24 hours.

OPTIONAL

- 4** Bleach



3. Frequently Asked Questions

We're here to help
info@studioloho.com

OBJECTS

Natural Stone Bathtubs
Fitting Instructions

©2025

STUDIOLOHO.COM